

REVISIONS				
REV	DESCRIPTION	DATE	ECO	APPR
01	PRELIMINARY ISSUE.			
02	REVISED TO LATEST MIL-STD-348	3/13/03		ORB

INTERFACE SPECIFICATION
SERIES SMP

GENERAL SPECIFICATIONS:

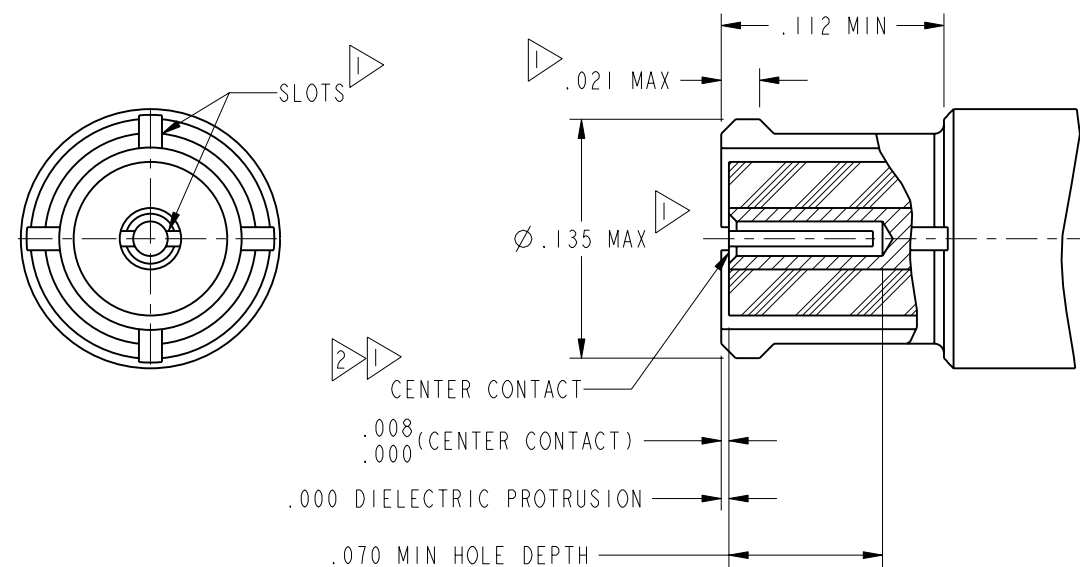
1. CONFORMS TO MIL-STD-348
2. TYPICAL MATERIALS AND FINISHES:
 JACK BODY - STAINLESS STEEL, PASSIVATED OR GOLD PLATED
 PLUG BODY - BERYLLIUM COPPER, GOLD PLATED
 CONTACTS - BERYLLIUM COPPER, GOLD PLATED
 DIELECTRIC - PTFE OR LCP
2. ELECTRICAL:
 - A. IMPEDANCE: 50 OHM
 - B. FREQUENCY RANGE: DC TO 40 GHz
 - C. VSWR: 1.7 MAX
 - D. CONTACT RESISTANCE: CENTER CONTACT, 6 MILLIOHMS MAX
 OUTER CONTACT, 2 MILLIOHMS MAX
 - E. DIELECTRIC WITHSTANDING VOLTAGE: 500 VRMS MIN
 - F. INSULATION RESISTANCE: 5000 MEGOHMS
3. MECHANICAL:
 - A. FORCE TO ENGAGE: FULL DETENT: 15 LBS MAX
 LIMITED DETENT: 10 LBS MAX
 SMOOTH BORE: 2 LBS MAX
 - B. FORCE TO DISENGAGE: FULL DETENT: 2 LBS MIN
 LIMITED DETENT: 2 LBS MIN
 SMOOTH BORE: .5 LBS MIN
 - C. DURABILITY: FULL DETENT: 100 CYCLES
 LIMITED DETENT: 500 CYLCES
 SMOOTH BORE: 1000 CYCLES

	NAME	DATE		NAME	DATE
PROJ. ENG.	OWEN BARTHELMES	4/16/01	APPD. BY		
CHK. BY			DATE ISSUED		

AMPHENOL CORPORATION DANBURY, CONN.

UNLESS OTHERWISE SPECIFIED DIMENSIONS ARE IN INCHES: AND TOLERANCES ARE:		CODE IDENT.	REV
FRACTIONS	DECIMALS	ANGLES	
± 1/64	± .005	± 1°	
SCALE: NONE		349-50681	02
		SHEET 1 OF 4	

SMP PLUG, SOCKET CONTACT



NOTES:

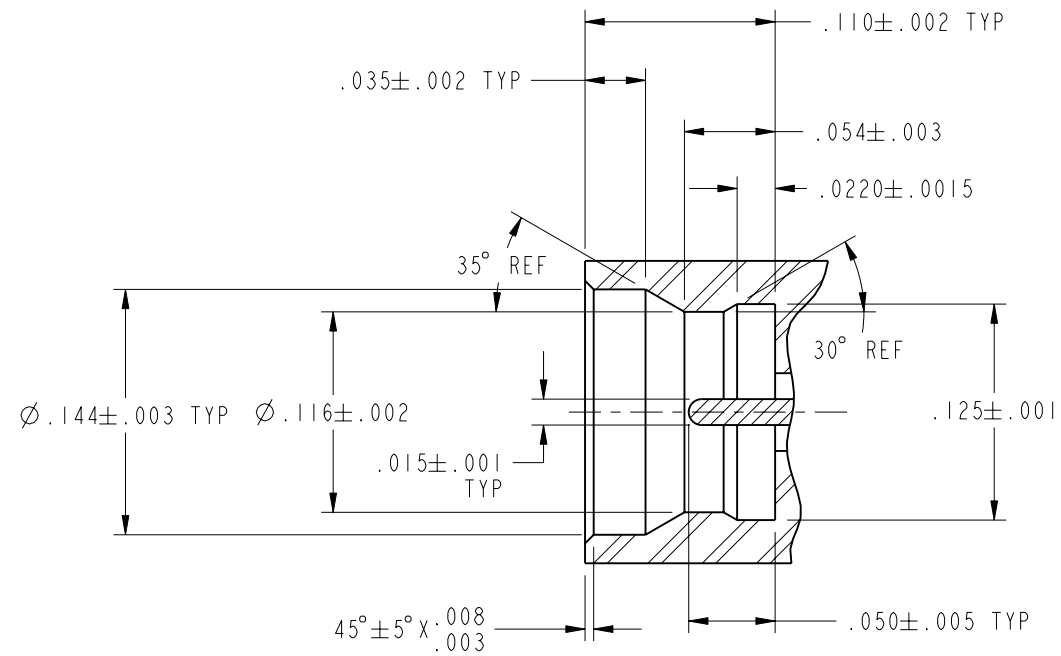
- 1 CONFIGURATION TO MEET ENGAGE AND DISENGAGE REQUIREMENTS.
- 2 CONFIGURATION TO MEET ELETRICAL REQUIREMENTS.

AMPHENOL CORPORATION DANBURY, CONN.

UNLESS OTHERWISE SPECIFIED DIMENSIONS ARE IN INCHES: AND TOLERANCES ARE:		CODE IDENT.	REV
FRACTIONS	DECIMALS	ANGLES	
± 1/64	± .005	± 1°	
SCALE: NONE		74868	02
		assyml_smp	SHEET 2 OF 4

REVISIONS				
REV	DESCRIPTION	DATE	ECO	APPR
01	OFFICIAL ENG. RELEASE TO MFG.			
02	SEE SHEET 1	3/13/03		ORB

SMP JACK, PIN CONTACT
FULL DETENT
SECTION A-A



NAME	DATE	NAME	DATE
PROJ. ENG.	17-Apr-01	APPD. BY	
CHK. BY		DATE ISSUED	

AMPHENOL CORPORATION DANBURY, CONN.

UNLESS OTHERWISE SPECIFIED
DIMENSIONS ARE IN INCHES:
AND TOLERANCES ARE:

FRACTIONS DECIMALS ANGLES
± 1/64 ± .005 ± 1°

CODE IDENT.
74868

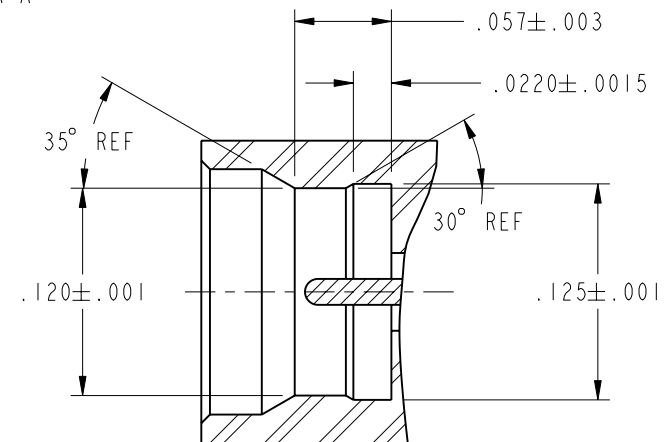
349-50681

REV
02

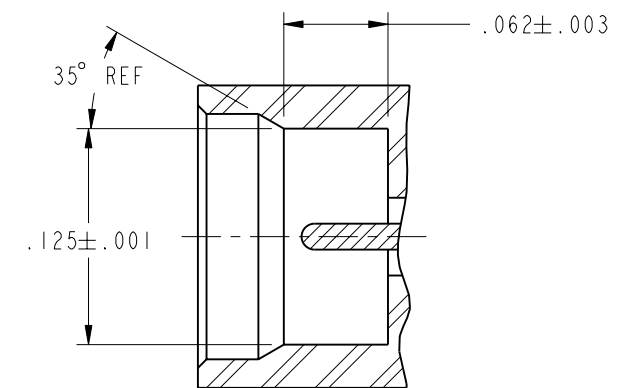
SCALE: NONE

SHEET 3 OF 4

SMP JACK, PIN CONTACT
LIMITED DETENT
SECTION A-A



SMP JACK, PIN CONTACT
SMOOTH BORE
SECTION A-A



AMPHENOL CORPORATION DANBURY, CONN.

UNLESS OTHERWISE SPECIFIED
DIMENSIONS ARE IN INCHES:
AND TOLERANCES ARE:

FRACTIONS DECIMALS ANGLES
± 1/64 ± .005 ± 1°

CODE IDENT.
74868

349-50681

REV
02

SCALE: NONE

SHEET 4 OF 4