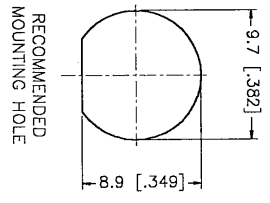
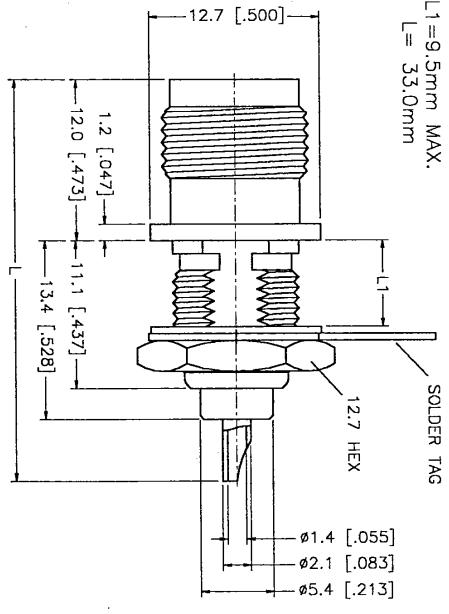


REV.	DATE	DESCRIPTION
NC	04/01/98	INITIAL RELEASE

DIMENSION NOTES:  
 L1 = 9.5mm MAX.  
 L = 33.0mm



DESCRIPTION	MATERIAL	FINISH	UNLESS OTHERWISE SPECIFIED DIMENSIONS ARE IN MILLIMETERS DIMENSIONS IN [ ] ARE IN INCHES FOR CUSTOMER REFERENCE ONLY	APPROVALS	DATE
1 BODY	BRASS	NICKEL		DRAWN G.R.S.	04/01/98
2 INSULATOR	DELRIN	NATURAL		CHECKED	
3 CONTACT PIN	PHOS. BRONZE	GOLD	UNLESS OTHERWISE SPECIFIED DIMENSIONS ARE IN MILLIMETERS FOR CUSTOMER REFERENCE ONLY	ISSUED	
4 FERRULE	COPPER	NICKEL	0.3-0.6 = ± 0.2		
5 HEX NUT	BRASS	NICKEL	30-120 = ± 0.6		
			315-1000 = ± 1.6		
			1000-2000 = ± 2.4		
7					
8			DO NOT SCALE DRAWING		

**Comnex**  
 Connector Corporation  
 BULKHEAD RECEPTACLE JACK  
 ( 75 ohm )

SIZE: A  
 PART NO.: 99001  
 DWG. NO.: 122337.DWG  
 SCALE: NA  
 SHEET: 1 OF 1