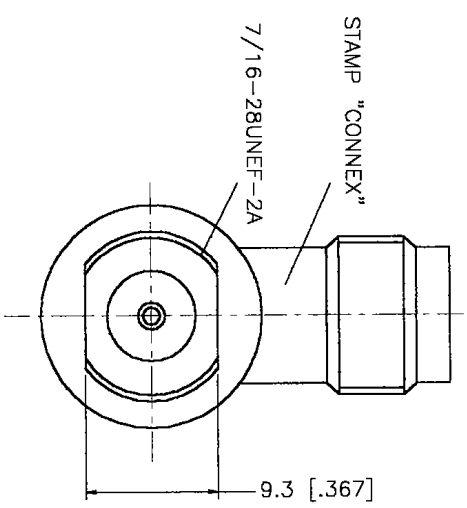
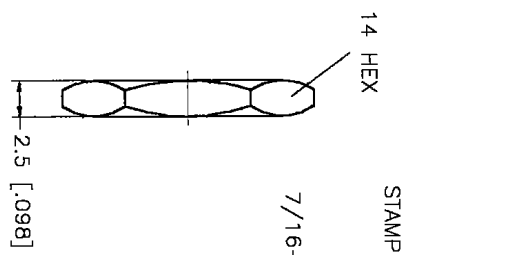
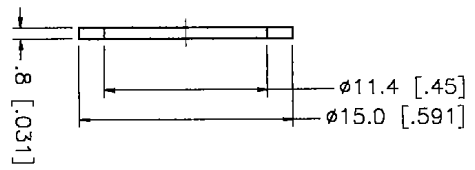
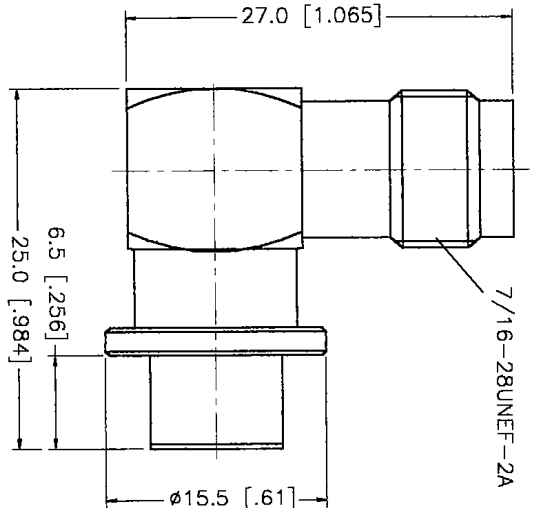
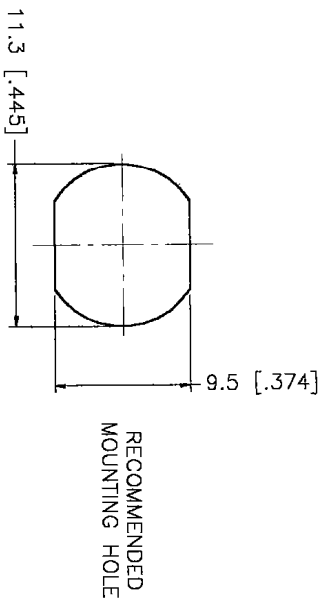


REV.	DATE	DESCRIPTION
NC	02/15/99	INITIAL RELEASE



DESCRIPTION	MATERIAL	FINISH	UNLESS OTHERWISE SPECIFIED DIMENSIONS ARE IN MILLIMETERS	APPROVALS	DATE	TITLE	SCALE	PART NO.	SHEET	REV.	
1 HOUSING	BRASS	NICKEL	DIMENSIONS IN [] ARE IN INCHES FOR CUSTOMER REFERENCE ONLY UNLESS OTHERWISE SPECIFIED TOLERANCES FOR MILLIMETERS ARE: 0.3-6 = ± 0.2 6-30 = ± 0.4 30-120 = ± 0.6 120-315 = ± 1 315-1000 = ± 1.6 1000-2000 = ± 2.4	DRAWN	02/15/99	Connex Connector Corporation TNC FEMALE TO MCX FEMALE R/A BULKHEAD ADAPTOR	A	99001	122427	1 OF 1	
2 INSULATOR	TEFLON	NATURAL		CHECKED							
3 CONTACT PIN	PHOS. BRONZE	GOLD		ISSUED							
4 CONTACT PIN	BER. COPPER	GOLD									
5 INSULATOR	TEFLON	NATURAL									
6 LOCK RING	BRASS	NICKEL									
7 WASHER	BRASS	NICKEL									
8 HEX NUT	BRASS	NICKEL		DO NOT SCALE DRAWING							