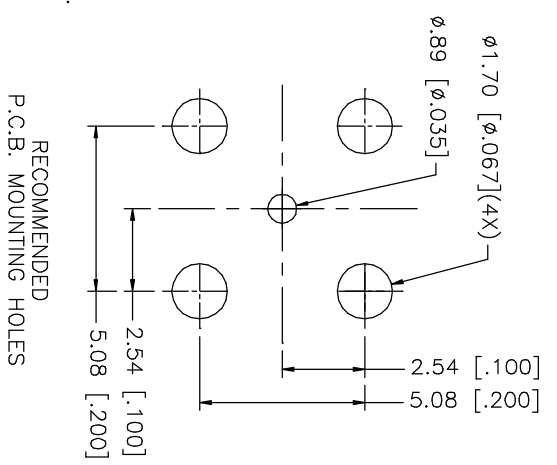
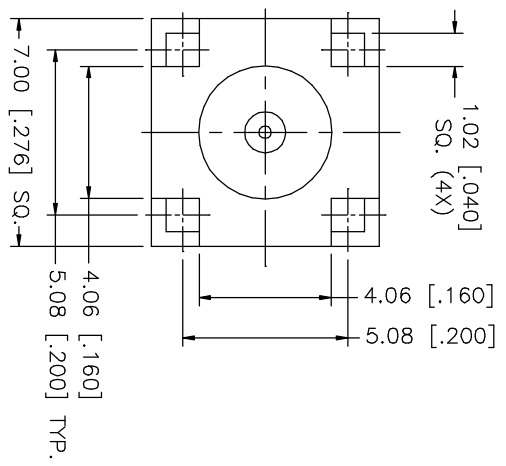
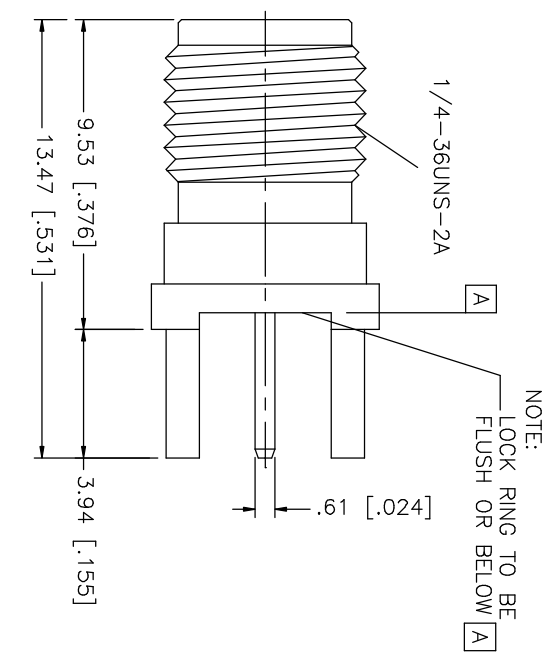


REV.	DATE	DESCRIPTION
NC	06/11/03	INITIAL RELEASE



QTY	FINISH	MATERIAL	DESCRIPTION
1	GOLD	BER. COPPER	CONTACT PIN
1	NATURAL	TEFLON	INSULATOR
1	GOLD	BRASS	BODY
			DESCRIPTION

UNLESS OTHERWISE SPECIFIED, DIMENSIONS ARE IN MILLIMETERS. DIMENSIONS IN [] ARE IN INCHES AND FOR CUSTOMER REFERENCE ONLY.
UNLESS OTHERWISE SPECIFIED, TOLERANCES FOR MILLIMETER ARE:
0.5 - 8mm ± 0.20mm
8 - 30mm ± 0.40mm
30 - 120mm ± 0.50mm
UNLESS OTHERWISE SPECIFIED, TOLERANCES FOR INCHES ARE:
.020 - .315 = ± 0.007"
.315 - 1.180 = ± 0.015"
1.180 - 4.724 = ± 0.020"

APPROVALS	DATE
DRAWN G.R.S.	06/11/03
CHECKED	
ISSUED	
SHEET 1 OF 1	

PART NO.	DESCRIPTION
132134-14	SMA P.C.B. JACK (3.94 [.155] LEGS)

DO NOT SCALE DRAWING	CAD FILE	DWG. NO.	REV.	SIZE	SCALE
	C:\132\132134-14.DWG	132134-14.DWG	NC	A	N/A

Amphenol Connex