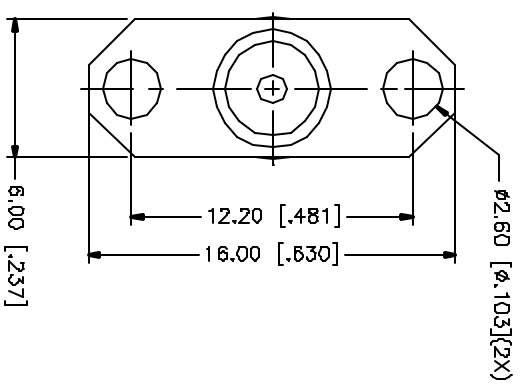
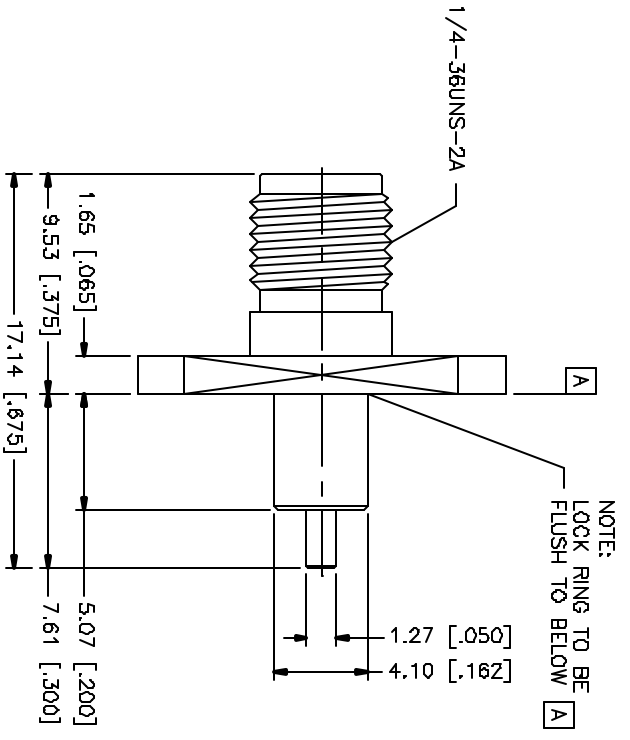


REV.	DATE	DESCRIPTION
A	02/20/05	UPDATE PART DESCRIPTION/ DRAWING FORMAT



QTY	FINISH	MATERIAL	DESCRIPTION
1	GOLD	BRASS	RING
1	GOLD	BER. COPPER	CONTACT PIN
1	NATURAL	TEFLON	INSULATOR
1	GOLD	BRASS	BODY

UNLESS OTHERWISE SPECIFIED DIMENSIONS ARE IN MILLIMETERS DIMENSIONS IN [] ARE IN INCHES AND FOR DECIMAL REFERENCE ONLY.	APPROVALS	DATE
UNLESS OTHERWISE SPECIFIED TOLERANCES FOR MILLIMETERS ARE: 0.5 - 8mm ± 0.20mm 8 - 30mm ± 0.40mm 30 - 120mm ± 0.40mm	DRAWN G. R. S.	02/20/05
UNLESS OTHERWISE SPECIFIED TOLERANCES FOR INCHES ARE: .020 - .315 ± 0.007" .315 - 1.180 ± 0.015" 1.180 - 4.724 ± 0.020"	CHECKED	
DO NOT SCALE DRAWING	ISSUED	
	SHEET 1 OF 1	

CDW FILE C:/132/132147-16.DWG	DWG. NO. 132147-16.DWG	REV. A	SIZE A	SCALE NA
-------------------------------	------------------------	--------	--------	----------

Amphenol Connex	
PART DESCRIPTION	
SMA PANEL RECEPTACLE - 2 HOLE	
EXT. TEFLON .200 [5.07] - .500 [7.61]	
PART NIB. 132147-16	