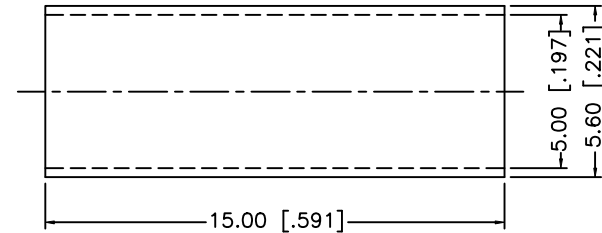
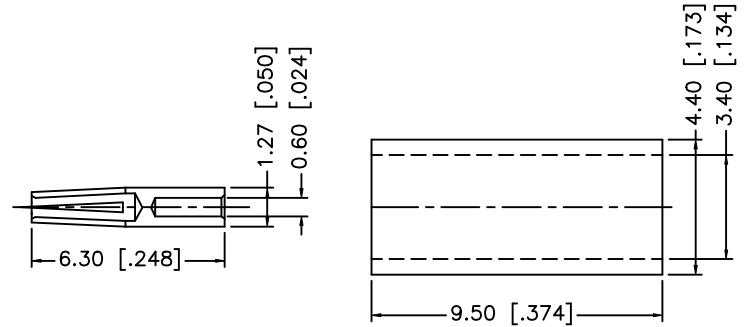
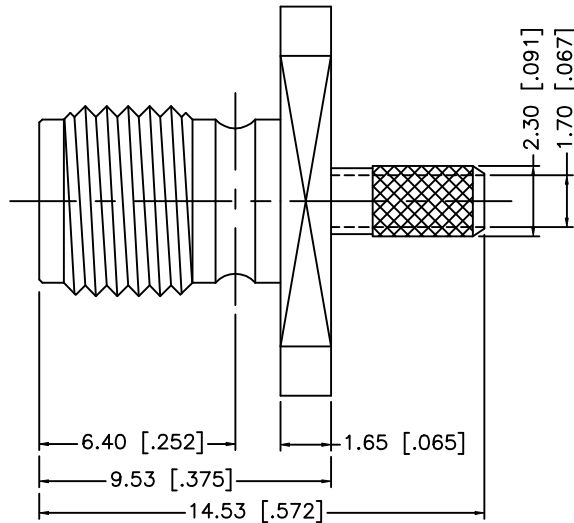
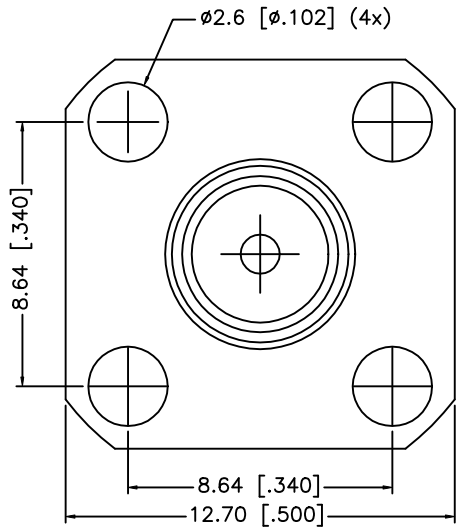
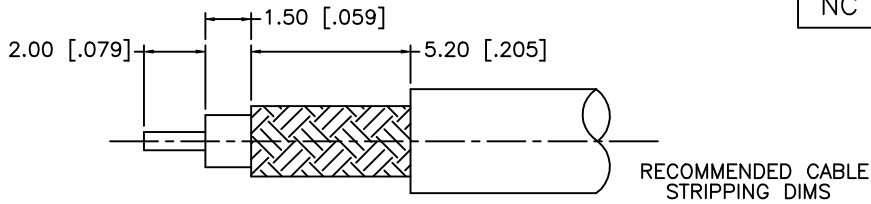


REV.	DATE	DESCRIPTION
NC	05/22/02	INITIAL RELEASE



- CRIMP NOTES:
1. CRIMPED FERRULE
HEX CRIMP SIZE .151"
 2. CONTACT PIN TO SOLDER

8			
7			
6			
5	HEAT SHRINK TUBE		BLACK
4	FERRULE	COPPER	GOLD
3	CONTACT PIN	BER. COPPER	GOLD
2	INSULATOR	TEFLON	NATURAL
1	BODY	BRASS	GOLD
	DESCRIPTION	MATERIAL	FINISH

UNLESS OTHERWISE SPECIFIED DIMENSIONS ARE IN MILLIMETERS
DIMENSIONS IN [] ARE IN INCHES FOR CUSTOMER REFERENCE ONLY
UNLESS OTHERWISE SPECIFIED TOLERANCES FOR INCHES ARE: .XXX = ± 0.005" .XX = ± 0.010" .X = ± 0.020"
DO NOT SCALE DRAWING

APPROVALS	DATE
DRAWN G.R.S.	05/22/02
CHECKED	
ISSUED	

Amphenol - Connex CONNECTOR CORPORATION			
TITLE SMA PANEL CRIMP JACK (FOR RG-316 DOUBLE BRAID CABLE)			
SIZE A	FSCM NO. 99001	DWG. NO. 132199.DWG	REV. NC
SCALE NA	PART NO. 132199	SHEET 1 OF 1	