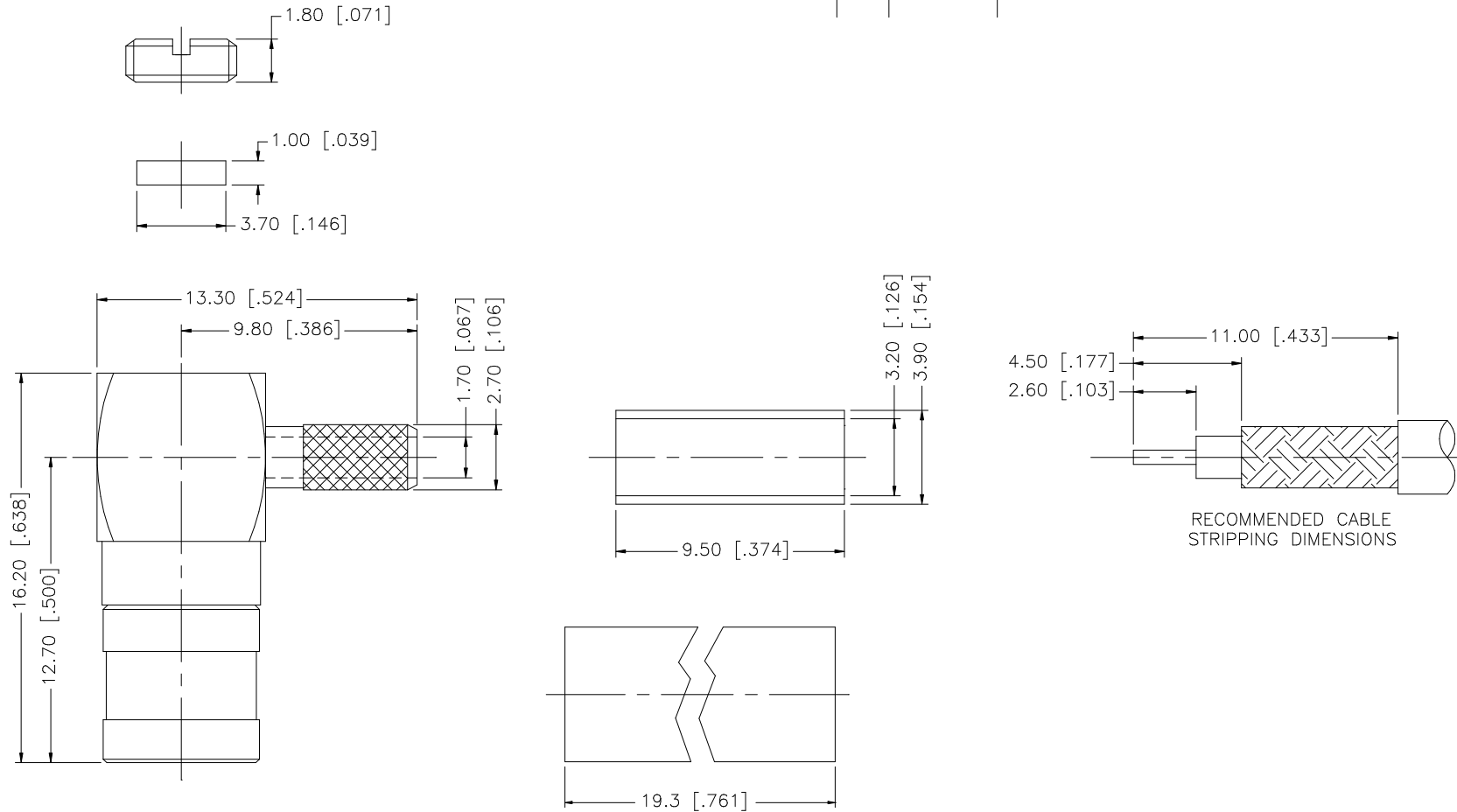


REV.	DATE	DESCRIPTION
NC	02/27/07	INITIAL RELEASE



- NOTE:
1. CRIMPED FERRULE HEX CRIMP SIZE .128"
  2. CONTACT PIN TO SOLDER.

				UNLESS OTHERWISE SPECIFIED DIMENSIONS ARE IN MILLIMETERS. DIMENSIONS IN [ ] ARE IN INCHES AND FOR CUSTOMER REFERENCE ONLY.	APPROVALS	DATE	<b>Amphenol Connex</b>						
8					DRAWN	G.R.S.					02/27/07	PART DESCRIPTION <b>SMB R/A CRIMP PLUG (FOR 174/U - EXTENDED BODY)</b>	
7	HEAT SHRINK TUBING				CHECKED			PART NO. <b>142194-11</b>					
6	COVER	BRASS	GOLD	1	ISSUED							DWG. NO. 142194-11.DWG	
5	INSULATOR	TEFLON	NATURAL	1	SHEET	1 OF 1		REV.	A	SIZE	A		
4	FERRULE	COPPER	GOLD	1	CAD FILE		C:/142/142194-11.DWG						
3	CONTACT PIN	BRASS	GOLD	1									
2	INSULATOR	TEFLON	NATURAL	1									
1	BODY	BRASS	GOLD	1									
DESCRIPTION				MATERIAL	FINISH	QTY							

UNLESS OTHERWISE SPECIFIED DIMENSIONS ARE IN MILLIMETERS. DIMENSIONS IN [ ] ARE IN INCHES AND FOR CUSTOMER REFERENCE ONLY.

UNLESS OTHERWISE SPECIFIED TOLERANCES FOR MILLIMETERS ARE:  
0.5 - 8mm ± 0.20mm  
8 - 30mm ± 0.40mm  
30 - 120mm ± 0.50mm

UNLESS OTHERWISE SPECIFIED TOLERANCES FOR INCHES ARE:  
.020 - .315 = ± 0.007"  
.315 - 1.180 = ± 0.015"  
1.180 - 4.724 = ± 0.020"

DO NOT SCALE DRAWING