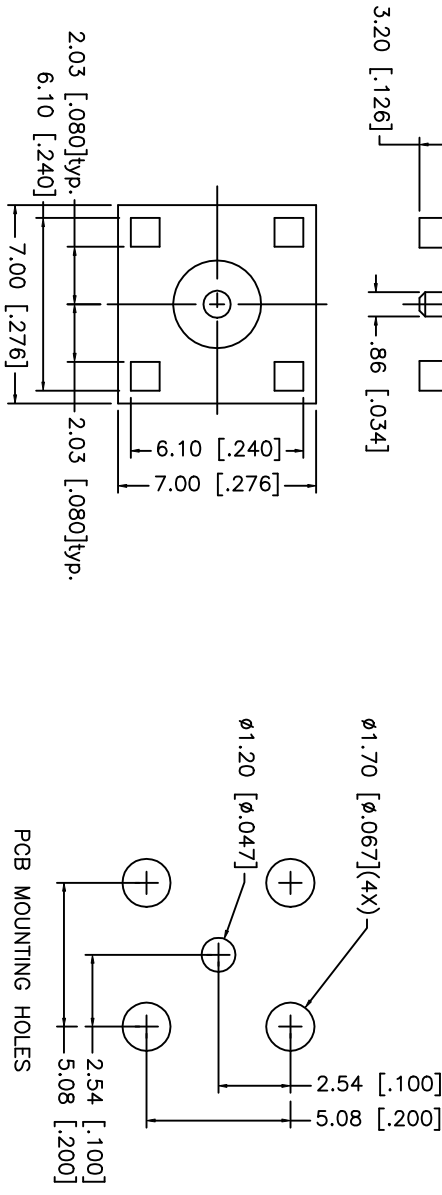
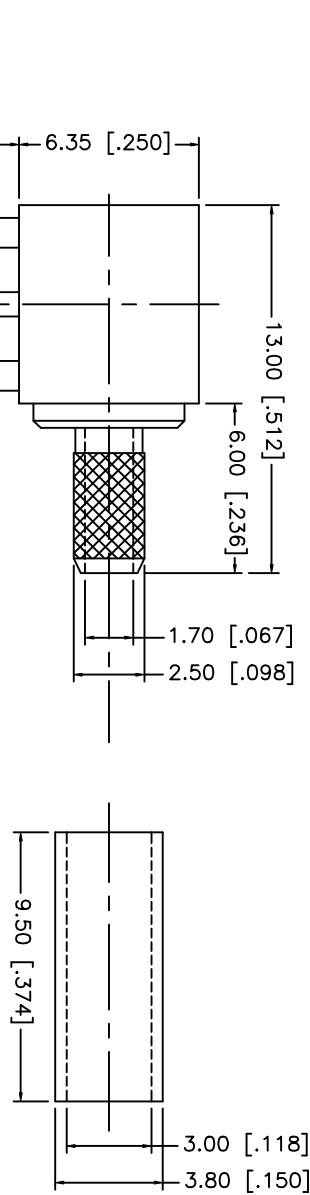
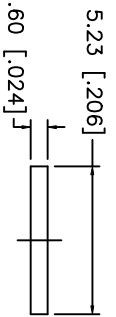


REV.	DATE	DESCRIPTION
NC	08/11/02	INITIAL RELEASE



NOTE:
 CRIMPED FERRULE
 HEX CRIMP SIZE .128"

8																			
7																			
6																			
5	COVER	BRASS	BRT. TIN																
4	FERRULE	COPPER	BRT. TIN																
3	CONTACT PIN	BER. COPPER	BRT. TIN																
2	INSULATOR	TEFLON	NATURAL																
1	BODY	BRASS	BRT. TIN																
	DESCRIPTION	MATERIAL	FINISH																
				UNLESS OTHERWISE SPECIFIED DIMENSIONS ARE IN MILLIMETERS				APPROVALS				DATE				TITLE			
				DIMENSIONS IN [] ARE IN INCHES FOR CUSTOMER REFERENCE ONLY				DRAWN G.R.S.				08/11/02				R/A PCB CABLE TERMINAL (FOR RG-179/U, 187A/U)			
				UNLESS OTHERWISE SPECIFIED TOLERANCES FOR INCHES ARE: .XXX = ± 0.005" .XX = ± 0.010" .X = ± 0.020"				CHECKED								SIZE A			
				DO NOT SCALE DRAWING				ISSUED								FSCM NO. 99001			
																DWG. NO. 142318			
																SHEET 1 OF 1			
																REV. NC			

Amphenol - Connex

CONNECTOR CORPORATION