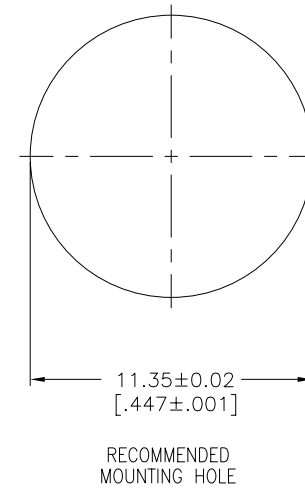
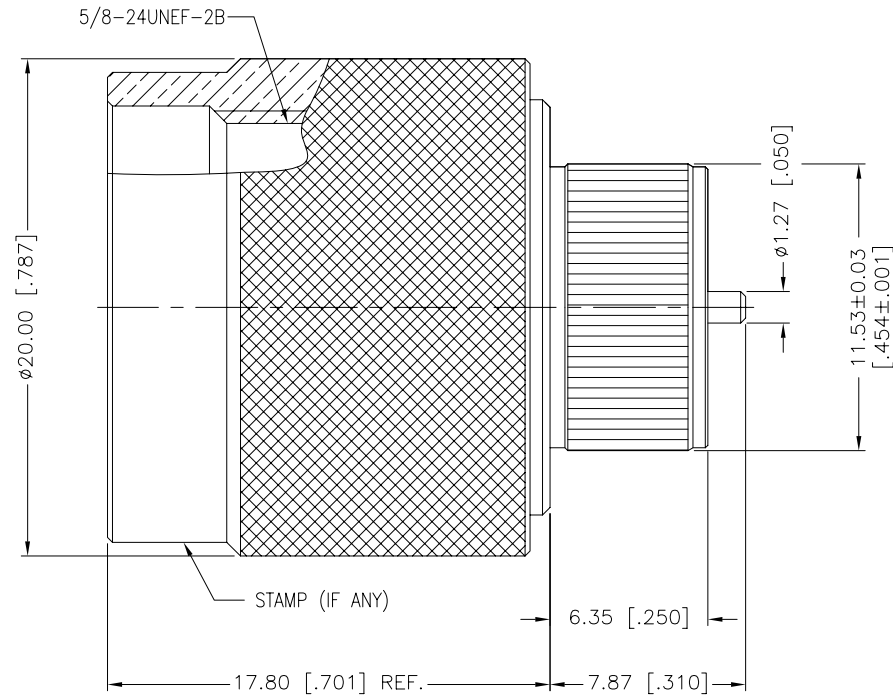


REV.	DATE	ECR NO.	DESCRIPTION
NC	09/18/00	XXXXXX	INITIAL RELEASE
A	10/06/11	XXXXXX	MODIFY THE BODY PLATING TO NEXCOTE



UNLESS OTHERWISE SPECIFIED DIMENSIONS ARE IN MILLIMETERS. DIMENSIONS IN [] ARE IN INCHES AND FOR CUSTOMER REFERENCE ONLY.

UNLESS OTHERWISE SPECIFIED TOLERANCES FOR MILLIMETERS ARE:
0.5 - 8mm $\pm 0.20\text{mm}$
8 - 30mm $\pm 0.40\text{mm}$
30 - 120mm $\pm 0.50\text{mm}$

UNLESS OTHERWISE SPECIFIED TOLERANCES FOR INCHES ARE:
.020 - .315 = ± 0.007 "
.315 - 1.180 = ± 0.015 "
1.180 - 4.724 = ± 0.020 "

DO NOT SCALE DRAWING

APPROVALS	DATE
DRAWN M.ZHANG	10/06/11
CHECKED	
ISSUED	
SHEET 1 OF 1	
CAD FILE C:/CONNEX/172241.DWG	

<h1>Amphenol Connex</h1>			
PART DESCRIPTION N PRESS MOUNT RECEPTACLE PLUG			
PART NO. 172241			
DWG. NO.	172241.DWG	REV.	A
SIZE	A	SCALE	NA

DESCRIPTION	MATERIAL	FINISH	QTY
3 CONTACT PIN	BRASS	GOLD	1
2 INSULATOR	PTFE	NATURAL	1
1 BODY	BRASS	NEXCOTE	1