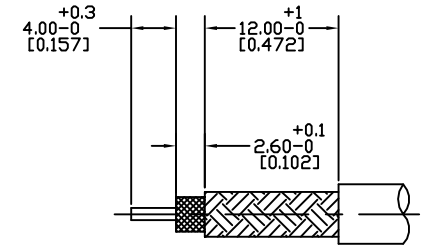
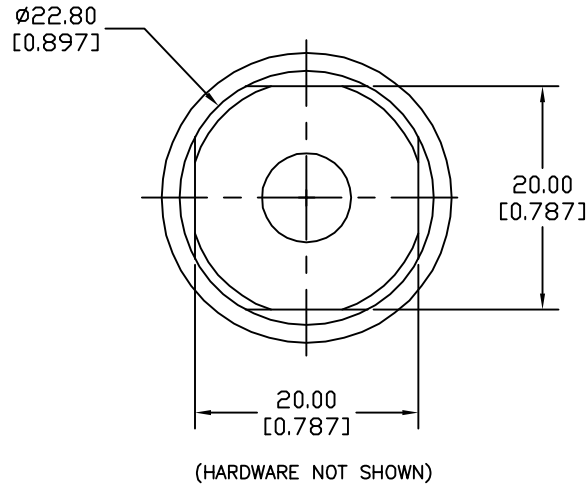
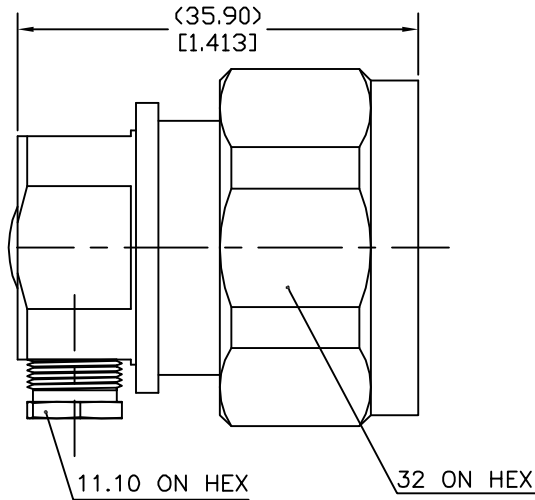


REV.	DATE	ECR NO	DESCRIPTION
A	22/02/11	--	RELEASE TO MFG.



NOTES:

REFERENCE STANDARD	IEC60169-4
I. ELECTRIC PERFORMANCE	
IMPEDANCE(Ω):	50
FREQUENCY RANGE:	DC-3GHz
VSWR:	≤ 1.15
INSERT LOSS(dB)	≤ 0.05
PIM(dBc)	≤ -155
INSULATION RESISTANCE(M Ω)	>10000
PROOF VOLTAGE (V)	1500
CONDUCTOR RESISTANCE (m Ω)	OUTER CONDUCTOR<0.2 INNER CONDUCTOR<0.8
II. MECHANICAL PERFORMANCE	
NUT TORQUE	25N.m
TENSILE FORCE(CABLE-CONNECT)	180N
TORSION(CABLE-CONNECT)	0.3N.m

UNLESS OTHERWISE SPECIFIED DIMENSIONS ARE IN MILLIMETERS. DIMENSIONS IN [] ARE IN INCHES AND FOR CUSTOMER REFERENCE ONLY.

UNLESS OTHERWISE SPECIFIED TOLERANCES FOR MILLIMETERS ARE:
0.5 - 8mm ± 0.20 mm
8 - 30mm ± 0.40 mm
30 - 120mm ± 0.50 mm

UNLESS OTHERWISE SPECIFIED TOLERANCES FOR INCHES ARE:
.020 - .315 = ± 0.007 "
.315 - 1.180 = ± 0.015 "
1.180 - 4.724 = ± 0.020 "

DO NOT SCALE DRAWING

APPROVALS	DATE
DRAWN HARI	22/02/2011
CHECKED	
ISSUED	
SHEET 1 OF 1	
CAD FILE	

Amphenol Connex

PART DESCRIPTION	7/16 R/A PLUG FOR .141" S/R CABLE WITH HEXNUT		
PART NO.	272117-10		
DWG. NO.	REV. A	SIZE A	SCALE NA

QTY	FINISH	MATERIAL	DESCRIPTION
1	SILVER	BRASS	INNER CONDUCTOR
1	WHITE BRONZE	BRASS	OUTER CONDUCTOR
1	WHITE BRONZE	BRASS	NUT
1	NATURAL	PTFE	INSULATOR
1		SILICON RUBBER	O-RING