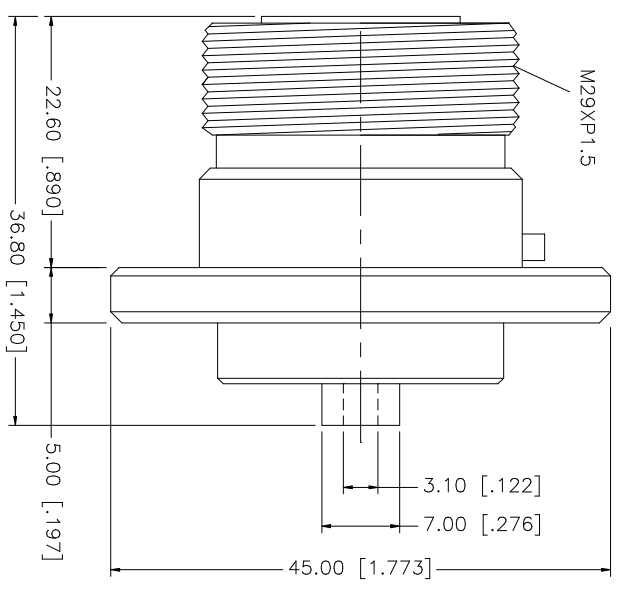
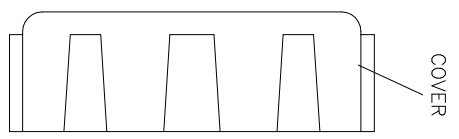
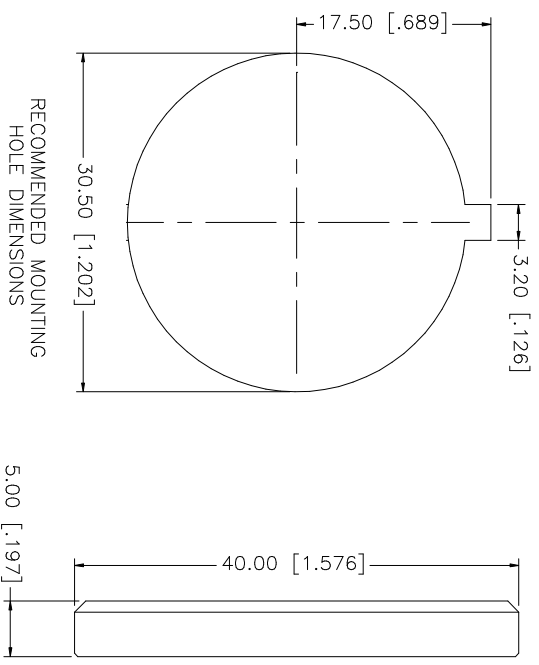


REV.	DATE	DESCRIPTION
NC	01/10/03	INITIAL RELEASE



NO.	DESCRIPTION	MATERIAL	FINISH	QTY	DO NOT SCALE DRAWING	APPROVALS	DATE	PART DESCRIPTION
8								Amphenol Connex 7/16 BULKHEAD RECEPTACLE CENTER CONTACT W/ SOLDER BUCKET 272171
7								
6								
5								
4	NUT	BRASS	SILVER	1		CHECKED		
3	CONTACT PIN	BER. COPPER	SILVER	1		ISSUED		
2	INSULATOR	TEFLON	NATURAL	1		SHEET 1 OF 1		
1	HOUSING/BODY	BRASS	SILVER	1				
					UNLESS OTHERWISE SPECIFIED DIMENSIONS ARE IN MILLIMETERS. DIMENSIONS IN [] ARE IN INCHES AND FOR CUSTOMER REFERENCE ONLY. TOLERANCES FOR MILLIMETERS ARE: 0.5 - 8mm ± 0.20mm 8 - 30mm ± 0.40mm 30 - 120mm ± 0.50mm UNLESS OTHERWISE SPECIFIED DIMENSIONS FOR INCHES ARE: .020 - .315 = ± 0.007" .315 - 1.180 = ± 0.015" 1.180 - 4.724 = ± 0.020"		CAD FILE C:/272/272171.DWG	
					UNLESS OTHERWISE SPECIFIED DIMENSIONS ARE IN MILLIMETERS. DIMENSIONS IN [] ARE IN INCHES AND FOR CUSTOMER REFERENCE ONLY. TOLERANCES FOR MILLIMETERS ARE: 0.5 - 8mm ± 0.20mm 8 - 30mm ± 0.40mm 30 - 120mm ± 0.50mm UNLESS OTHERWISE SPECIFIED DIMENSIONS FOR INCHES ARE: .020 - .315 = ± 0.007" .315 - 1.180 = ± 0.015" 1.180 - 4.724 = ± 0.020"		DWG. NO. 272171.DWG	
					DO NOT SCALE DRAWING		REV. NC SIZE A SCALE NA	