

NOTES:

1. MATERIALS AND FINISHES(MICRO-INCHES):

- BODY = ZINC DIECAST (PER ASTM B86),MATTE TIN PLATING
- BODY-FRONT = BRASS,MATTE TIN PLATING
- INSULATOR = PTFE PER ASTM D1710, COLOR: NATURAL
- C-RING = NYLON,COLOR PER COLOR CODING
- FERRULE = COPPER, NICKEL PLATING.
- SHRINK TUBING = POLYOLEFIN, ADHESIVE LINED, COLOR: BLACK
- CONTACTS SUPPLIED SEPARATELY AS P/N : FKCP03402 (5000 PCS. REEL)

2. ELECTRICAL:

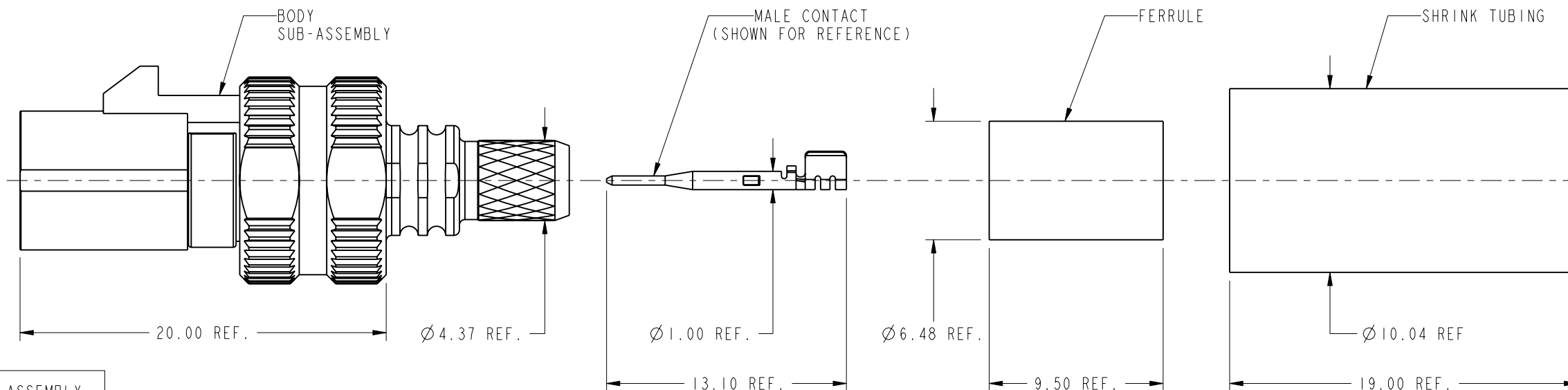
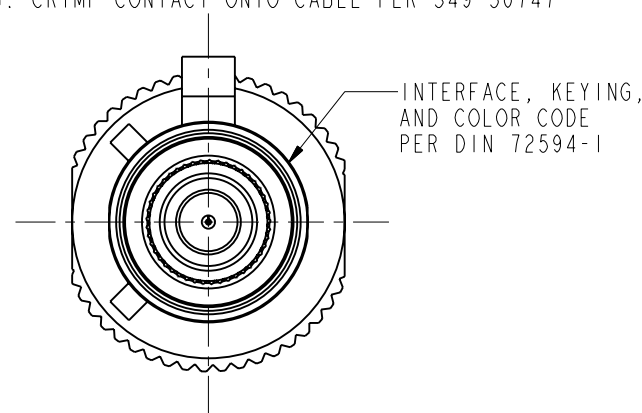
- A. IMPEDANCE: 50 OHM, NOMINAL
- B. FREQUENCY RANGE: DC-3.0GHz

3. MECHANICAL:

- A. DURABILITY: 100 CYCLES MIN.
- B. TEMPERATURE RANGE: -40° C TO +105° C
- C. ENVIRONMENTAL SEAL (WHEN MATED): GMW3191

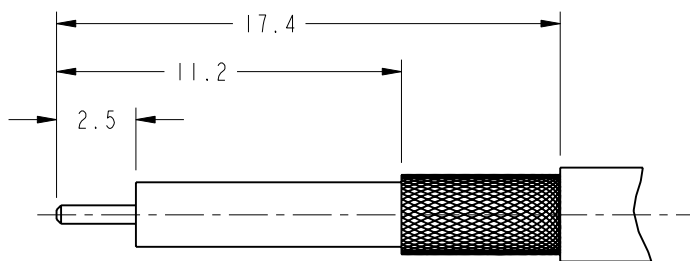
4. ASSEMBLY:

- A. CONNECTOR ASSEMBLY INSTRUCTION: 349-50832
- B. CRIMP CONTACT ONTO CABLE PER 349-50747



THIRD ANGLE PROJ.

RECOMMENDED CABLE STRIPPING DIMENSIONS



REV		DESCRIPTION	DATE	ECO	APPR
A		RELEASE TO MFG.	22-Sep-16	1924	EW

CODING	DRAWING NO.	COLOR	RAL NO.	SUB-ASSEMBLY
A	2FAI-NASP-C04E1	JET BLACK	9005	923-10647-A
B	2FAI-NBSP-C04E1	CREAM	9001	923-10647-B
C	2FAI-NCSP-C04E1	SIGNAL BLUE	5005	923-10647-C
D	2FAI-NDSP-C04E1	CLARET VIOLET	4004	923-10647-D
E	2FAI-NESP-C04E1	LEAF GREEN	6002	923-10647-E
F	2FAI-NFSP-C04E1	NUT BROWN	8011	923-10647-F
G	2FAI-NGSP-C04E1	BLUE GREY	7031	923-10647-G
H	2FAI-NHSP-C04E1	HEATHER VIOLET	4003	923-10647-H
I	2FAI-NISP-C04E1	BEIGE	1001	923-10647-I
K	2FAI-NKSP-C04E1	CURRY	1027	923-10647-K
L	2FAI-NLSP-C04E1	CARMINE RED	3002	923-10647-L
M	2FAI-NMSP-C04E1	PASTEL ORANGE	2003	923-10647-M
N	2FAI-NNSP-C04E1	PASTEL GREEN	6019	923-10647-N
Z	2FAI-NZSP-C04E1	WATER BLUE	5021	923-10647-Z

CONFIGURATION CONTROL:
 NO CHANGES PERMITTED TO DRAWING WITHOUT
 PPAP QUALIFIED CUSTOMER APPROVAL

CUSTOMER OUTLINE DRAWING
 ALL OTHER SHEETS ARE FOR INTERNAL USE ONLY

UNLESS OTHERWISE SPECIFIED, DIMENSIONS ARE IN METRIC AND TOLERANCES ARE:
 <0.5mm ±0.05mm 0.5 - 6mm ±0.1mm 6 - 30mm ±0.2mm 30 - 120mm ±0.3mm ANGLES ±1°

NOTICE - These drawings, specifications, or other data (1) are, and remain the property of Amphenol corp. (2) must be returned upon request; and (3) are confidential and not to be disclosed to any person other than those to whom they are given by Amphenol Corp. the furnishing of these drawings, specifications, or other data by Amphenol Corp., or to any other person to anyone for any purpose is not to be regarded by implication or otherwise in any manner licensing, granting rights to permitting such holder or any other person to manufacture, use or sell any product, process or design, patented or otherwise, that may in any way be related to or disclosed by said drawings, specifications, or other data.

MATERIAL SEE NOTES	DRAWN B.C. GLEISSNER DATE 16-Mar-15	TITLE FAKRA (GEN 2.5) PLUG, C04 CABLE GROUP (SEPARATE CONTACT)		Amphenol RF Danbury CT USA, Tainan, Taiwan, Shenzhen, China www.amphenolrf.com	
REFERENCE EAR# 7009 AND	ENGINEER E. WANKOFF DATE 16-Mar-15	APPROVED S. HSIEH DATE 27-Sep-16		DRAWING NO. 2FAI-NXSP-C04E1	
CONFIGURATION LEVEL:	CAD FILE	SCALE: 3.5:1.0	SHEET 2 OF 2	ITEM NO. 2FAI-NXSP-C04E1	
FINISH		DWG SIZE B	REV A	PART NO. 2FAI-NXSP-C04E1	