

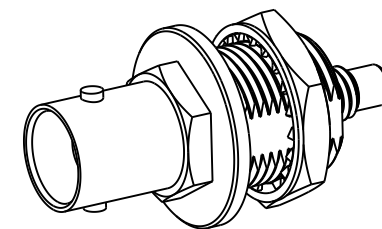
NOTES:

- 1. MATERIALS AND FINISHES:
 BODIES, HEX NUT &
 RETAINING RING - BRASS, NICKEL PLATING
 CONTACTS - BeCu, GOLD PLATING
 INSULATORS - PTFE, NATURAL
 LOCKWASHER - PHOSPHOR BRONZE, NICKEL PLATING
- 2. ELECTRICAL:
 A. IMPEDANCE: 50 OHM
 B. FREQUENCY: DC - 1 GHz
 C. VSWR: 1.75 MAX.

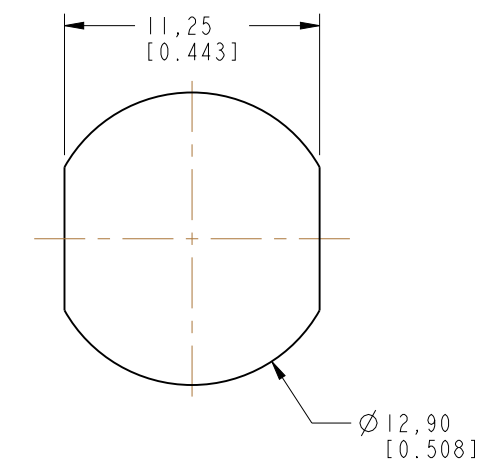
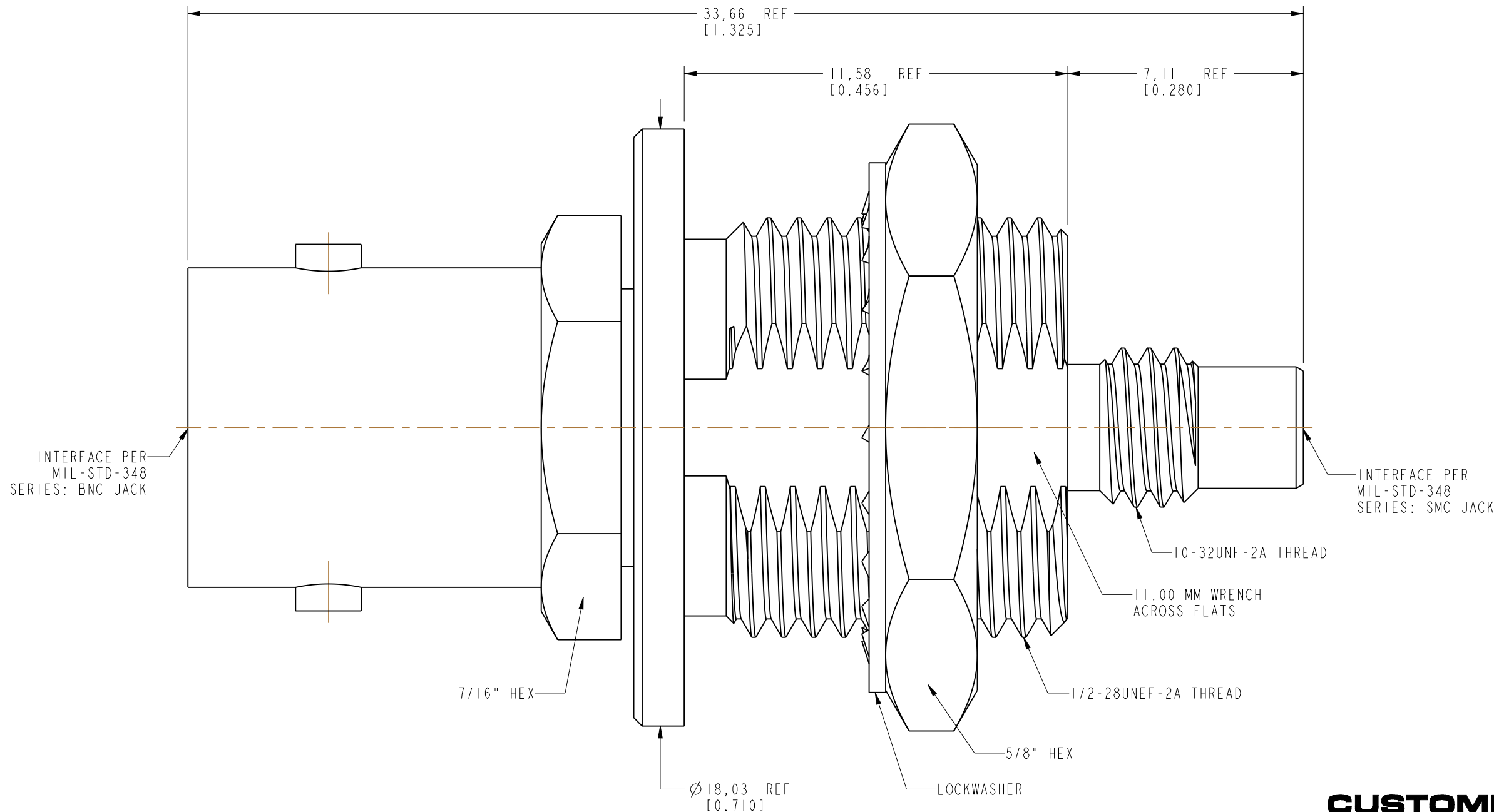
- 3. MECHANICAL:
 A. DURABILITY: 500 CYCLES MIN.
- 4. PACKAGING:
 A. QUANTITY: SINGLE PACK
 B. MARKING: BAG TO BE MARKED
 "AMPHENOL RF, 903-377A-52B1 AND DATE CODE"

THIRD ANGLE PROJ.

		REVISIONS		
REV	DESCRIPTION	DATE	ECN	APPR
--	RELEASE TO MFG.	--	--	--
J	REDRAWN & FORMAT UPDATED	22-May-19	11562	PL



SCALE 1.500



CUSTOMER OUTLINE DRAWING

ALL OTHER SHEETS ARE FOR INTERNAL USE ONLY

UNLESS OTHERWISE SPECIFIED, DIMENSIONS ARE IN METRIC AND TOLERANCES ARE: <0.5mm ± 0.05mm 0.5 - 6mm ± 0.1mm 6 - 30mm ± 0.2mm 30 - 120mm ± 0.3mm ANGLES ± 1°	MATERIAL	DRAWN	DATE	TITLE BNC STR JACK TO SMC JACK ADAPTER WITH FUSE HOLDER		Amphenol RF www.amphenolrf.com		
	SEE NOTES	LOKESH P	06-May-19					
NOTICE - These drawings, specifications, or other data (1) are, and remain the property of Amphenol corp. (2) must be returned upon request; and (3) are confidential and not to be disclosed to any person other than those to whom they are given by Amphenol Corp. the furnishing of these drawings, specifications, or other data by Amphenol Corp., or to any other person to anyone for any purpose is not to be regarded by implication or otherwise in any manner licensing, granting rights to permitting such holder or any other person to manufacture, use or sell any product, process or design, patented or otherwise, that may in any way be related to or disclosed by said drawings, specifications, or other data.	REFERENCE	ENGINEER	DATE	SCALE: 7.0:1.0 SHEET 2 OF 2		DRAWING NO. 903-377A-52B1		
	EAR# 961736	P. BRENZEL	15-May-90					
	REF: GENERAL DYNAMICS & 615X-1053-100	APPROVED	K. CAPOZZI	DATE	DWG SIZE B REV J		ITEM NO. 903-377A-52B1	
	CONFIGURATION LEVEL: In Work	CAD FILE		22-May-19				
FINISH								