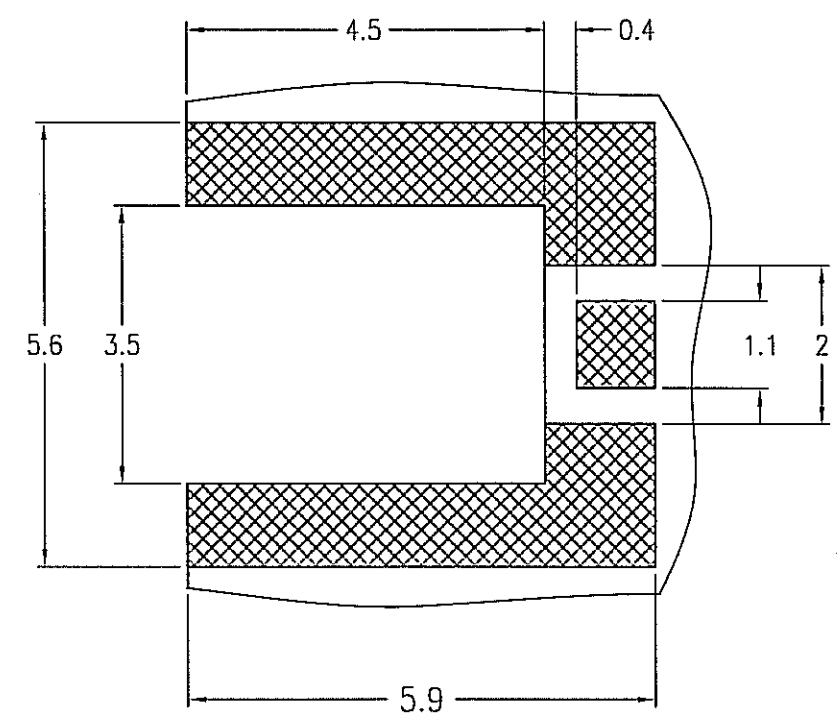
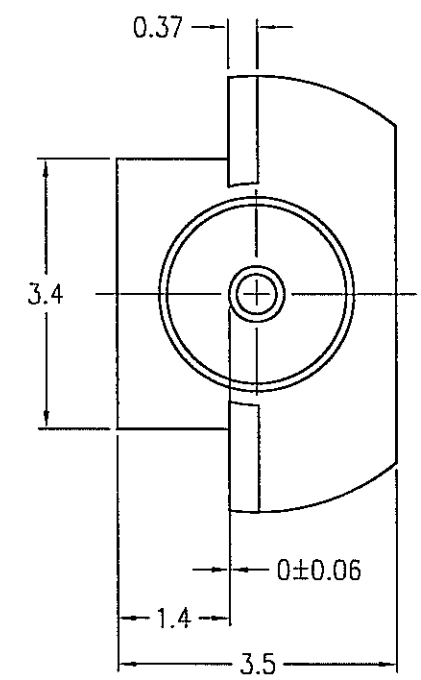
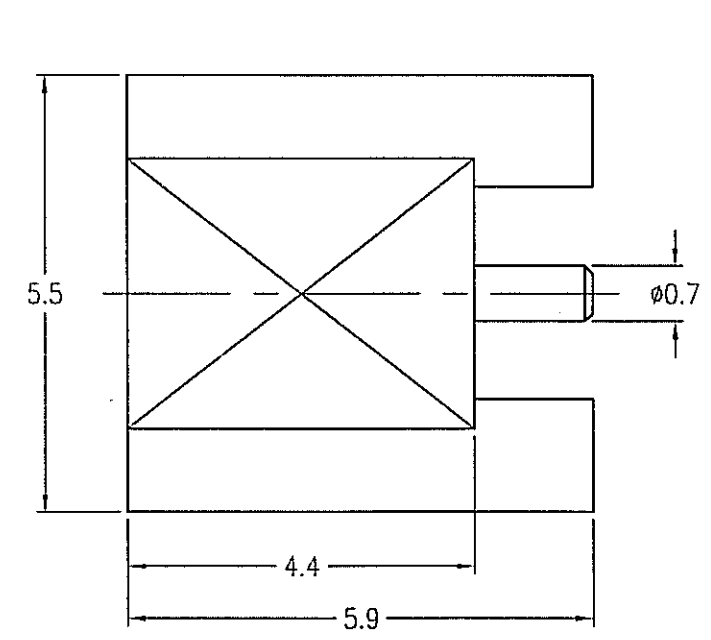


THIRD ANGLE PROJ.

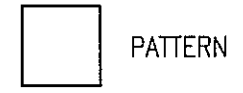
REVISIONS

REV	DESCRIPTION	DATE	ECO	APPR
A	RELEASE TO MFG.			
B	SEE SHEET 1	12/10/07	46781	JL

- NOTES:
- MATERIALS AND FINISHES(PLATING THICKNESS IN MICRO-INCHES):
 BODY - BRASS, GOLD PLATING 3 MIN.
 CONTACT - PHOSPHOR BRONZE, GOLD PLATING 30 MIN.
 INSULATOR - PTFE
 - ELECTRICAL:
 A. IMPEDANCE: 50 OHM
 B. FREQUENCY RANGE: 0-6 GHz
 C. DIELECTRIC WITHSTANDING VOLTAGE: 500 VRMS MIN.
 - MECHANICAL:
 A. DURABILITY: 500 CYCLES MIN.
 B. TEMPERATURE RANGE: - 40°C TO +90°C



RECOMMENDED MOUNTING PATTERN



1. MAX. PATTERN THICKNESS=1.6mm

CUSTOMER OUTLINE DRAWING

ALL OTHER SHEETS ARE FOR INTERNAL USE ONLY

UNLESS OTHERWISE SPECIFIED, DIMENSIONS ARE IN METRIC AND TOLERANCES ARE: 0.5 - 6mm ±0.1mm 6 - 30mm ±0.2mm 30 - 120mm ± 0.3mm ANGLES ±1°	MATERIAL	DRAWN J. TANG	DATE 26-Sep-05	TITLE MMCX EDGE CARD MOUNT JACK			Amphenol RF Danbury CT USA, Tainan Taiwan, Shenzhen China www.amphenolrf.com	
	REFERENCE EAR#2596	ENGINEER A. WU	DATE 26-Sep-05	SCALE: 8/1	SHEET 2 OF 2		DRAWING NO. MMCX6251S5-001-3GT30G-50	
NOTICE - These drawings, specifications, or other data (1) are, and remain the property of Amphenol Corp. (2) must be returned upon request; and (3) are confidential and not to be disclosed to any person other than those to whom they are given by Amphenol Corp. The furnishing of these drawings, specifications, or other data by Amphenol Corp., or to any other person to anyone for any purpose is not to be regarded by implication or otherwise in any manner licensing, granting rights or permitting such holder or any other person to manufacture, use or sell any product, process or design, patented or otherwise, that may in any way be related to or disclosed by said drawings, specifications, or other data.	FINISH	APPROVED A. WU	DATE 26-Sep-05	DWG SIZE B	CODE ID 74868	REV B	ITEM NO. 096251AAW02GE5F	
			CAD FILE F:\DWG\MMCX\6251S5\001\50\3GT30G-BSZ				PART NO. 908-22115	