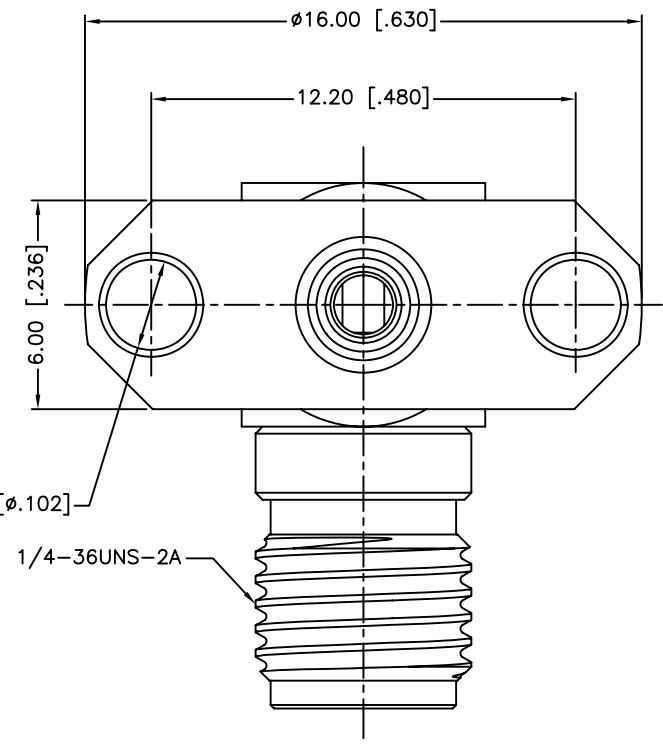
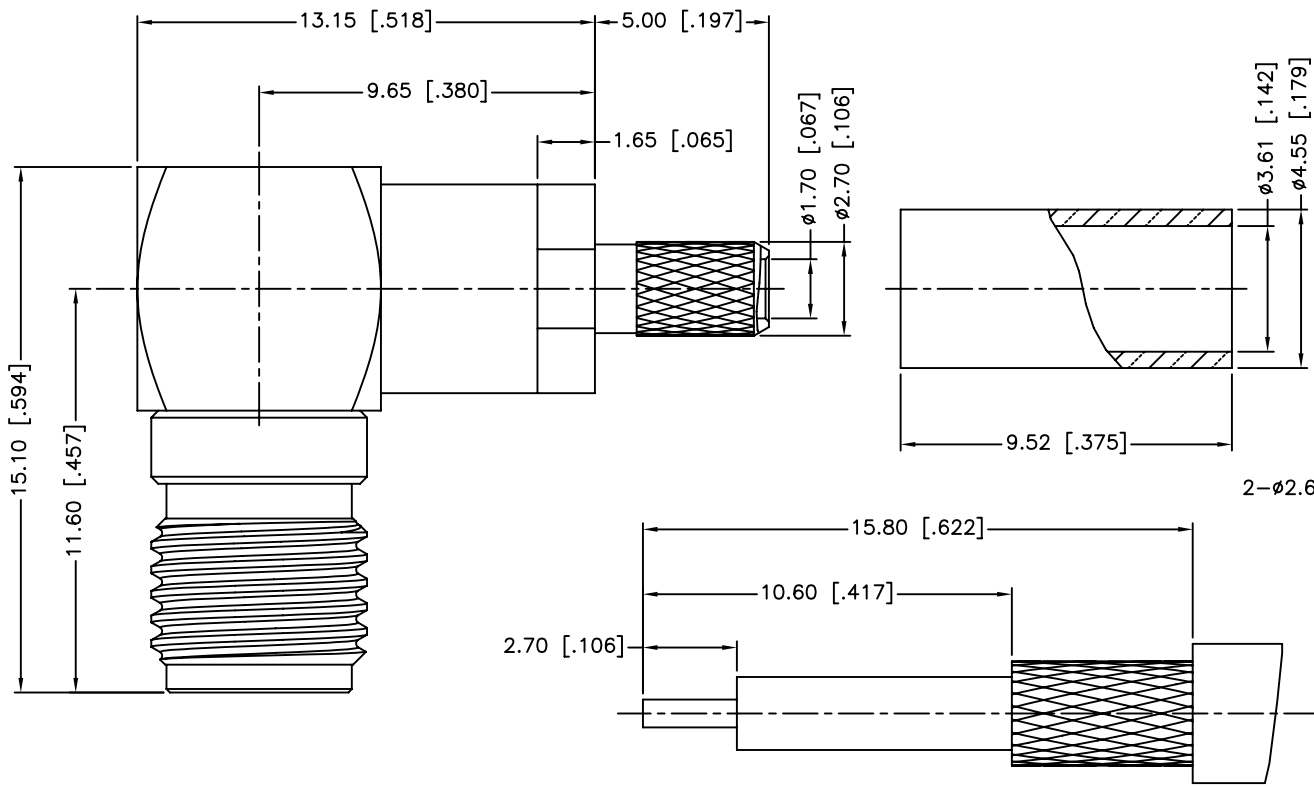
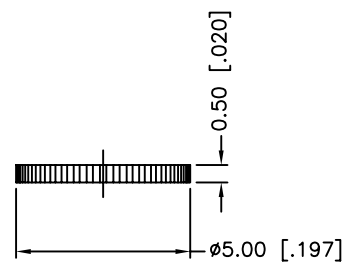


REV.	DATE	ECR NO.	DESCRIPTION
NC	01/11/11	XXXXXX	INITIAL RELEASE



1. CRIMPED FERRULE  
HEX CRIMP SIZE .151"
2. CONTACT PIN TO SOLDER

RECOMMENDED  
CABLE STRIPPING DIM'S

UNLESS OTHERWISE SPECIFIED DIMENSIONS ARE IN MILLIMETERS. DIMENSIONS IN [ ] ARE IN INCHES AND FOR CUSTOMER REFERENCE ONLY.

UNLESS OTHERWISE SPECIFIED TOLERANCES FOR MILLIMETERS ARE:  
0.5 - 8mm ± 0.20mm  
8 - 30mm ± 0.40mm  
30 - 120mm ± 0.50mm

UNLESS OTHERWISE SPECIFIED TOLERANCES FOR INCHES ARE:  
.020 - .315 ± ± 0.007"  
.315 - 1.180 ± ± 0.015"  
1.180 - 4.724 ± ± 0.020"

DO NOT SCALE DRAWING

APPROVALS	DATE
DRAWN M.ZHANG	01/11/11
CHECKED	
ISSUED	
SHEET 1 OF 1	
CAD FILE	C:/CONNEX/132329.DWG

<b>Amphenol Connex</b>			
PART DESCRIPTION			
<b>SMA R/A PANEL CRIMP JACK - 2 HOLE FLANGE (FOR RG-316U/D CABLE)</b>			
PART NO.		<b>132329</b>	
DWG. NO.	132329.DWG	REV.	NC
SIZE	A	SCALE	NA

QTY	FINISH	MATERIAL	DESCRIPTION
1	GOLD	BRASS	HOUSING WITH BODY
1	NATURAL	PTFE	INSULATOR
1	GOLD	BER. COPPER	CONTACT PIN
1	GOLD	BRASS	COVER
1	GOLD	BRASS	FERRULE