

NOTES:

1. MATERIALS AND FINISHES:

- BODY - ZINC ALLOY, NICKEL PLATED (.000100" MIN.)
- CONTACT - PHOSPHOR BRONZE, SELECTIVE GOLD PLATED (.000030" MIN.)
- FERRULE - SOFT COPPER ALLOY, NICKEL PLATED (.000100" MIN.)
- INSULATOR - PTFE, COLOR: WHITE
- HOUSING - PPO, COLOR: SEE TABLE BELOW
- CLIP - PBT, COLOR: YELLOW

C01 CONNECTOR SUB-ASSEMBLY P/N: 903-821J-51S
 C04 CONNECTOR SUB-ASSEMBLY P/N: 903-827J-51S

C01 CONTACT SUPPLIED SEPARATELY AS P/N: FKCP03401A (5,000 PCS. REEL)
 C04 CONTACT SUPPLIED SEPARATELY AS P/N: FKCP03402 (5,000 PCS. REEL)
 C01 FERRULE MAY BE PURCHASED SEPARATELY AS P/N: 923-10080 (100 PCS. TRAY)
 C04 FERRULE MAY BE PURCHASED SEPARATELY AS P/N: 923-10081 (100 PCS. TRAY)
 CABLE DEFINITIONS PER AMPHENOL REPORT DE825

2. ELECTRICAL:

- A. IMPEDANCE = 50 OHM, NOMINAL
- B. FREQUENCY RANGE = DC - 4 GHz
- C. VSWR = 1.400 (DC-2.0 GHz), 1.500 (2.0-4.0 GHz)
- D. D.W.V. = 800 VRMS, MIN.

3. MECHANICAL:

- A. DURABILITY = 100 CYCLES MIN.
- B. TEMPERATURE RANGE = -40° C TO +85° C
- C. MECHANICAL PULL = 110 N MIN.

4. CONNECTOR ASSEMBLY:

- A. SEE 349-50767 FOR CONNECTOR ASSEMBLY INSTRUCTIONS
- B. SEE 349-50748 OR 349-50750 FOR TOOLING
- C. SEE 349-50747 FOR CONTACT CRIMPING CRITERIA

5. PACKAGING:

- A. QUANTITY: TRAY PACK
- B. PACKAGING TO BE MARKED: AMPHENOL RF
 2FAH-NXSP-C00W9
 DATE CODE

CODING	DRAWING NO.	COLOR
A	2FAH-NASP-C00W9	JET BLACK
B	2FAH-NBSP-C00W9	CREAM
C	2FAH-NCSP-C00W9	SIGNAL BLUE
D	2FAH-NDSP-C00W9	CLARET VIOLET
E	2FAH-NESP-C00W9	LEAF GREEN
F	2FAH-NFSP-C00W9	NUT BROWN
G	2FAH-NGSP-C00W9	BLUE GREY
H	2FAH-NHSP-C00W9	HEATHER VIOLET
I	2FAH-NISP-C00W9	BEIGE
K	2FAH-NKSP-C00W9	CURRY
L	2FAH-NLSP-C00W9	CARMINE RED
M	2FAH-NMSP-C00W9	PASTEL ORANGE
N	2FAH-NNSP-C00W9	PASTEL GREEN
Z	2FAH-NZSP-C00W9	WATER BLUE

UNLESS OTHERWISE SPECIFIED, DIMENSIONS ARE IN METRIC AND TOLERANCES ARE:
 0.5 - 6mm ±0.1mm 6 - 30mm ±0.2mm 30 - 120mm ±0.3mm ANGLES ±1°

NOTICE - These drawings, specifications, or other data (1) are, and remain the property of Amphenol corp. (2) must be returned upon request; and (3) are confidential and not to be disclosed to any person other than those to whom they are given by Amphenol Corp. the furnishing of these drawings, specifications, or other data by Amphenol Corp., or to any other person to anyone for any purpose is not to be regarded by implication or otherwise in any manner licensing, granting rights to permitting such holder or any other person to manufacture, use or sell any product, process or design, patented or otherwise, that may in any way be related to or disclosed by said drawings, specifications, or other data.

MATERIAL	
REFERENCE	EAR # 03141 AND
CONFIGURATION LEVEL:	
FINISH	

DRAWN	J. YANG	DATE	30-Sep-08
ENGINEER	J. YANG	DATE	30-Sep-08
APPROVED	B.C.GLEISSNER	DATE	30-Sep-08
CAD FILE	I:\FAKRA\2FAH-NXSP-C00W9		

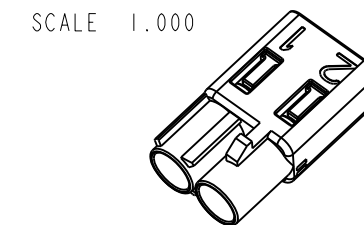
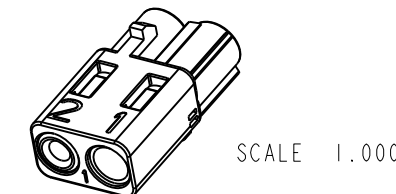
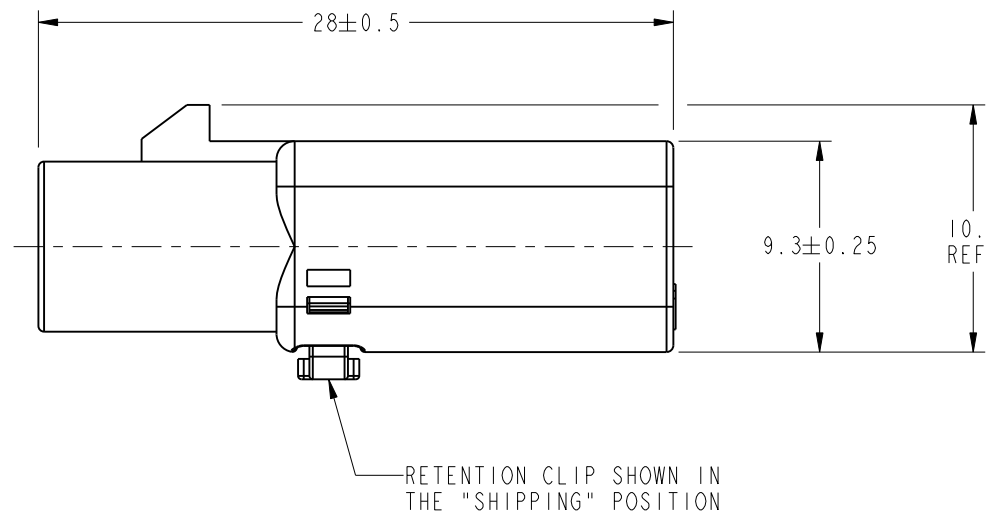
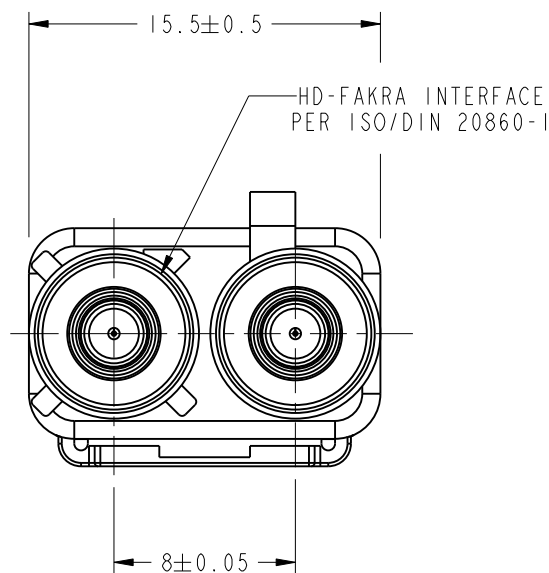
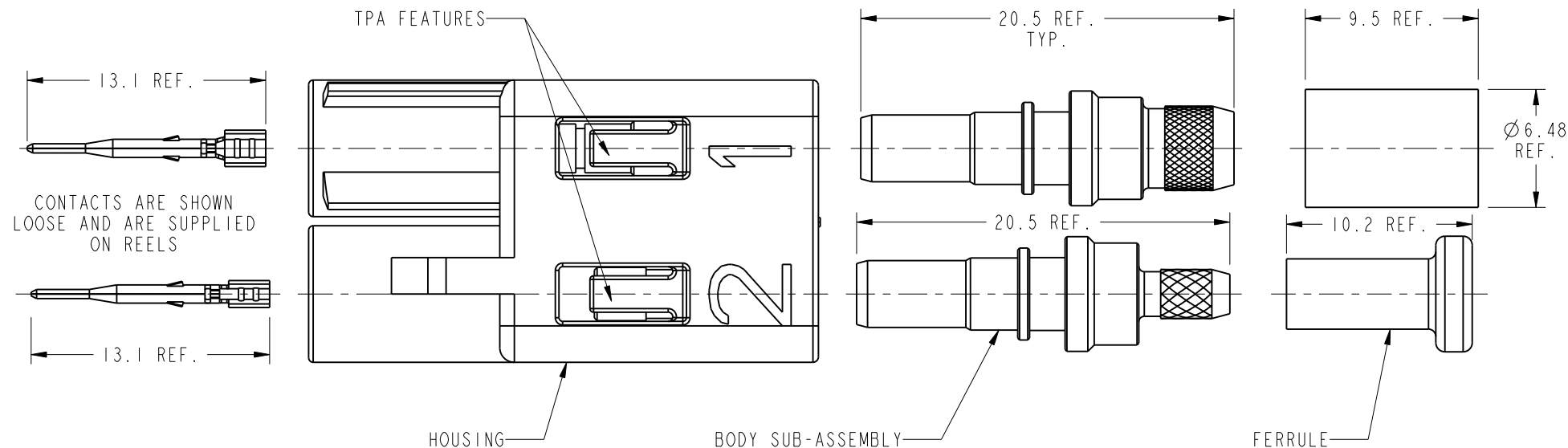
TITLE		
HD-FAKRA PLUG, DUAL, 8mm SPACING 1-C01 PORT, 1-C04/CL4 PORT (CONTACT SOLD SEPARATELY)		
SCALE: 3.0:1.0	SHEET 2 OF 2	
DWG SIZE	CODE ID	REV
B	74868	D

Amphenol RF	
Danbury CT USA, Tainan, Taiwan, Shenzhen, China www.amphenolrf.com	
DRAWING NO.	2FAH-NXSP-C00W9
ITEM NO.	2FAH-NXSP-C00W9
PART NO.	2FAH-NXSP-C00W9

THIRD ANGLE PROJ.

REVISIONS

REV	DESCRIPTION	DATE	ECO	APPR
A	RELEASE TO MFG.	30-Sep-08	----	JY
D	A) 923-10081 WAS: 923-10198 IN NOTE 1, B) Ø6.48 WAS: Ø6.23, C) REMOVED "CL4" REFERENCE \\RD-DM09052001S2\	6/4/09	47596	BCG



CONFIGURATION CONTROL:
 NO CHANGES PERMITTED TO DRAWING WITHOUT
 PPAP QUALIFIED CUSTOMER APPROVAL

CUSTOMER OUTLINE DRAWING

ALL OTHER SHEETS ARE FOR INTERNAL USE ONLY