

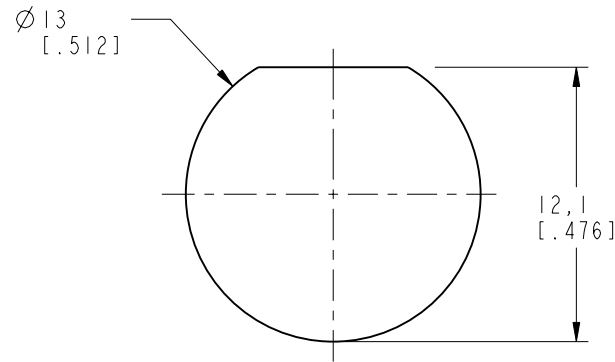
NOTES:

1. MATERIALS AND FINISHES:  
 BODY, HEX NUT & RETAINING RING - BRASS, NICKEL PLATED  
 LOCK WASHER - STAINLESS STEEL, PASSIVATED  
 CONTACT - BeCu, GOLD PLATED  
 INSULATOR - PTFE, NATURAL  
 GASKET - SILICONE RUBBER, RED
2. ELECTRICAL:  
 A. IMPEDANCE: 50 OHM  
 B. FREQUENCY RANGE: DC - 6 GHz  
 C. VSWR: 1.20 MAX @ DC - 6 GHz  
 D. DIELECTRIC WITHSTANDING VOLTAGE: 500 VRMS MIN.
3. MECHANICAL:  
 A. DURABILITY: 500 CYCLES MIN.  
 B. TEMPERATURE RANGE: -65 C TO +165 C  
 C. IP-67 SEALED IN UNMATED CONDITION FROM BNC SIDE
4. PACKAGING:  
 A. QUANTITY: SINGLE PACK  
 B. MARKING: BAG TO BE MARKED  
 "AMPHENOL, AD-BNCJMCXJ-1 & DATE CODE"

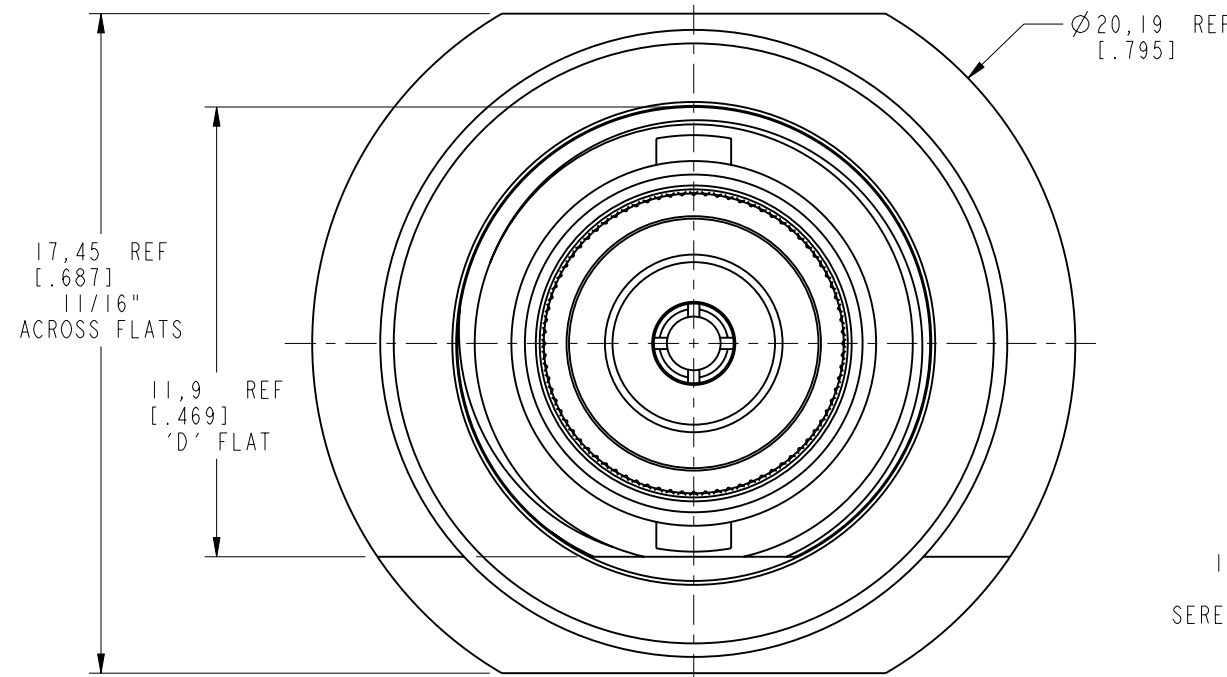
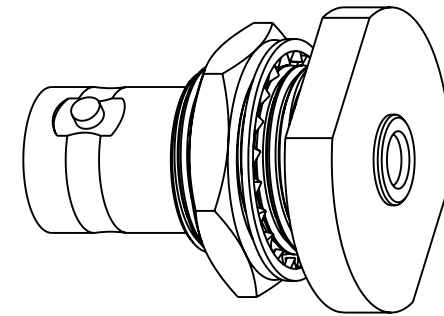
THIRD ANGLE PROJ.

REVISIONS

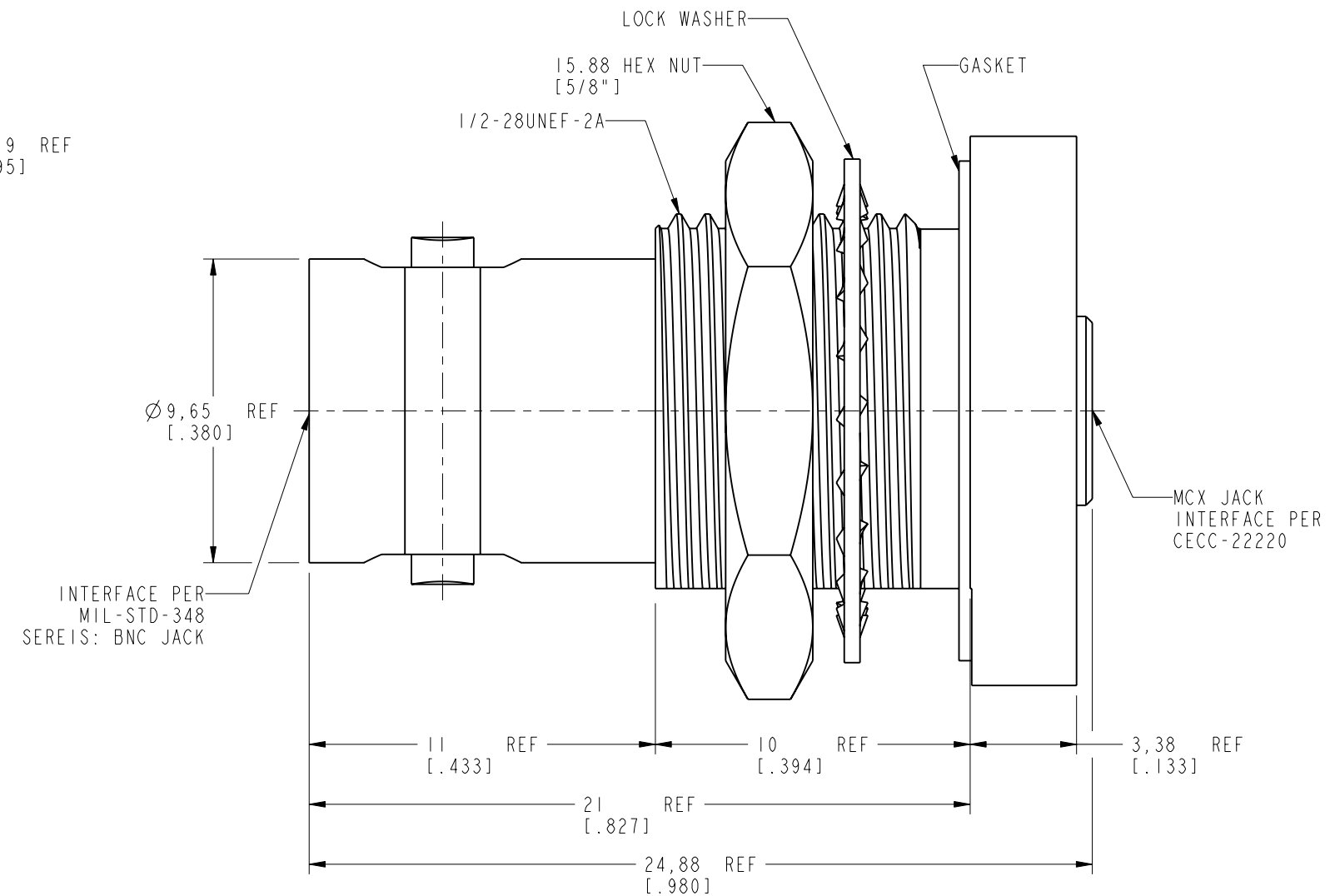
REV	DESCRIPTION	DATE	ECN	APPR
A	RELEASE TO MFG.	27-Nov-19	13782	SV



RECOMMENDED PCB PANEL CUTOUT



LOCK WASHER AND HEX NUT ARE NOT SHOWN IN THE VIEW



**CUSTOMER OUTLINE DRAWING**

ALL OTHER SHEETS ARE FOR INTERNAL USE ONLY

UNLESS OTHERWISE SPECIFIED, DIMENSIONS ARE IN METRIC AND TOLERANCES ARE: <0.5mm ±0.05mm    0.5 - 6mm ±0.1mm    6 - 30mm ±0.2mm    30 - 120mm ±0.3mm    ANGLES ±1°	MATERIAL SEE NOTES	DRAWN M. ZHANG	DATE 27-Nov-19	TITLE <b>BNC BULKHEAD JACK          TO MCX JACK          IP 67</b>	<b>Amphenol RF</b> www.amphenolrf.com
	REFERENCE EAR# 9275 REF: 31-6769	ENGINEER S. VO	DATE 23-Sep-19		
NOTICE - These drawings, specifications, or other data (1) are, and remain the property of Amphenol corp. (2) must be returned upon request; and (3) are confidential and not to be disclosed to any person other than those to whom they are given by Amphenol Corp. the furnishing of these drawings, specifications, or other data by Amphenol Corp., or to any other person to anyone for any purpose is not to be regarded by implication or otherwise in any manner licensing, granting rights to permitting such holder or any other person to manufacture, use or sell any product, process or design, patented or otherwise, that may in any way be related to or disclosed by said drawings, specifications, or other data.	CONFIGURATION LEVEL: In Work	CAD FILE	DATE 29-Nov-19	SCALE: 5.0:1.0   SHEET 2 OF 2	DRAWING NO. AD-BNCJMCXJ-1
	FINISH			DWG SIZE B	REV A