

NOTES:

1. MATERIALS AND FINISHES:

- RP SMA BHD JACK FRONT MOUNT IP67 (132397RP)
- BODY & BULLET CONTACT - BRASS, GOLD PLATING
- CONTACT - BeCu, GOLD PLATING
- SLEEVE, INNER FERRULE, LOCK WASHER & HEX NUT - BRASS, NICKEL PLATING
- INSULATOR & INSULATOR DISC - PTFE, NATURAL
- GASKET & O-RING - SILICONE RUBBER, RED
- AMC4 RA PLUG
- BODY & CENTER CONTACT- PHOSPHOR BRONZE, CONTACT PART GOLD PLATING
- INSULATOR - PBT, BLACK
- CABLE MEETS VW-1

2. ELECTRICAL:

- A. IMPEDANCE: 50 OHM
- B. FREQUENCY RANGE: DC - 6 GHz
- C. DIELECTRIC WITHSTANDING VOLTAGE: 200 VRMS, MIN.

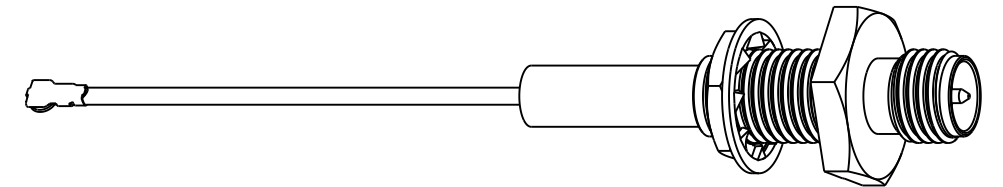
3. MECHANICAL:

- A. DURABILITY: SMA JACK - 500 CYCLES MIN.  
AMC4 PLUG - 30 CYCLES MIN.
- B. TEMPERATURE RANGE: -40°C TO 90°C

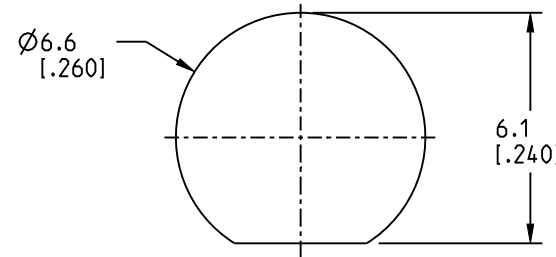
4. PACKAGING:

- A. QUANTITY: SINGLE PACK
- B. MARKING BAG TO BE MARKED  
"AMPHENOL RF, 95-902-604-XXX YYWW"

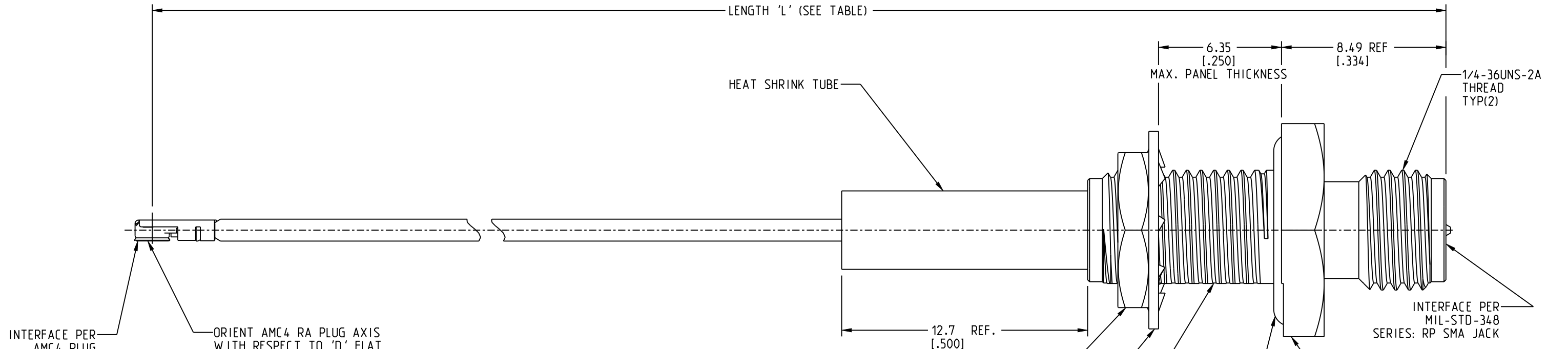
REVISIONS				
REV	DESCRIPTION	DATE	ECN	BY
A	RELEASE TO MANUFACTURING	12-NOV-24	17236	LP



SCALE 2.000



RECOMMENDED MOUNTING HOLE DIMENSIONS



INTERFACE PER AMC4 PLUG

ORIENT AMC4 RA PLUG AXIS WITH RESPECT TO 'D' FLAT AS SHOWN WITHIN ±10°

REQUIREMENT DOES NOT APPLY WHEN LENGTH 'L' IS GREATER OR EQUAL TO 500 MM [19.69"]

PART NUMBER	LENGTH 'L' AND TOLERANCE IN M [INCHES]
95-902-604M005	0.05 ± 0.006 [1.968 ± 0.25]
95-902-604M010	0.10 ± 0.006 [3.937 ± 0.25]
95-902-604M015	0.15 ± 0.006 [5.905 ± 0.25]
95-902-604M020	0.20 ± 0.006 [7.874 ± 0.25]
95-902-604M025	0.25 ± 0.006 [9.842 ± 0.25]
95-902-604M030	0.30 ± 0.006 [11.811 ± 0.25]
95-902-604M035	0.35 ± 0.006 [13.779 ± 0.25]
95-902-604M040	0.40 ± 0.006 [15.748 ± 0.25]

DESIGN REQUIREMENTS

- FREQUENCY: DC TO 6 GHz
- CONTINUITY
- VSWR: ---- :1 MAX
- HI-POT: 200 VRMS
- INS. LOSS: ---- dB MAX
- OTHER

CUSTOMER OUTLINE DRAWING

ALL OTHER SHEETS ARE FOR INTERNAL USE ONLY

NOTICE: These drawings, specifications, or other data (1) are, and remain the property of Amphenol corp. (2) must be returned upon request; and (3) are confidential and not to be disclosed to any person other than those to whom they are given by Amphenol Corp. The furnishing of these drawings, specifications, or other data by Amphenol Corp., or to any other person to anyone for any purpose is not to be regarded by implication or otherwise in any manner licensing, granting rights to permitting such holder or any other person to manufacture, use or sell any product, process or design, patented or otherwise, that may in any way be related to or disclosed by said drawings, specifications, or other data.

UNLESS OTHERWISE SPECIFIED DIMENSIONS ARE METRIC [INCHES] AND TOLERANCES ARE:

<0.5mm = ±0.05mm	[<0.020 = ±0.002]
0.5 - 6mm = ±0.1mm	[>0.020 - 0.236 = ±0.004]
>6.00 - 30mm = ±0.2mm	[>0.236 - 1.181 = ±0.008]
>30.00 - 120mm = ±0.3mm	[>1.181 - 4.725 = ±0.012]

ANGLES = ±1°

MATERIAL: SEE NOTES

TITLE: RP SMA STR BHD JACK FRONT MOUNT IP67 TO AMC4 PLUG ON 1.13MM

ENGR.1: L. PARENTE

ENGR.2: [ ]

DATE: 12-NOV-24

SHEET NO. 2 OF 2

SCALE: 5.0:1.0

SIZE: B	DRAWING NO. 95-902-604-XXX	REV: A
	ITEM NO. 95-902-604-XXX	
	PART NO. 95-902-604-XXX	

THIRD ANGLE PROJ. REFERENCE: 95-902-595-XXX EAR#: 12362