

5

4

3

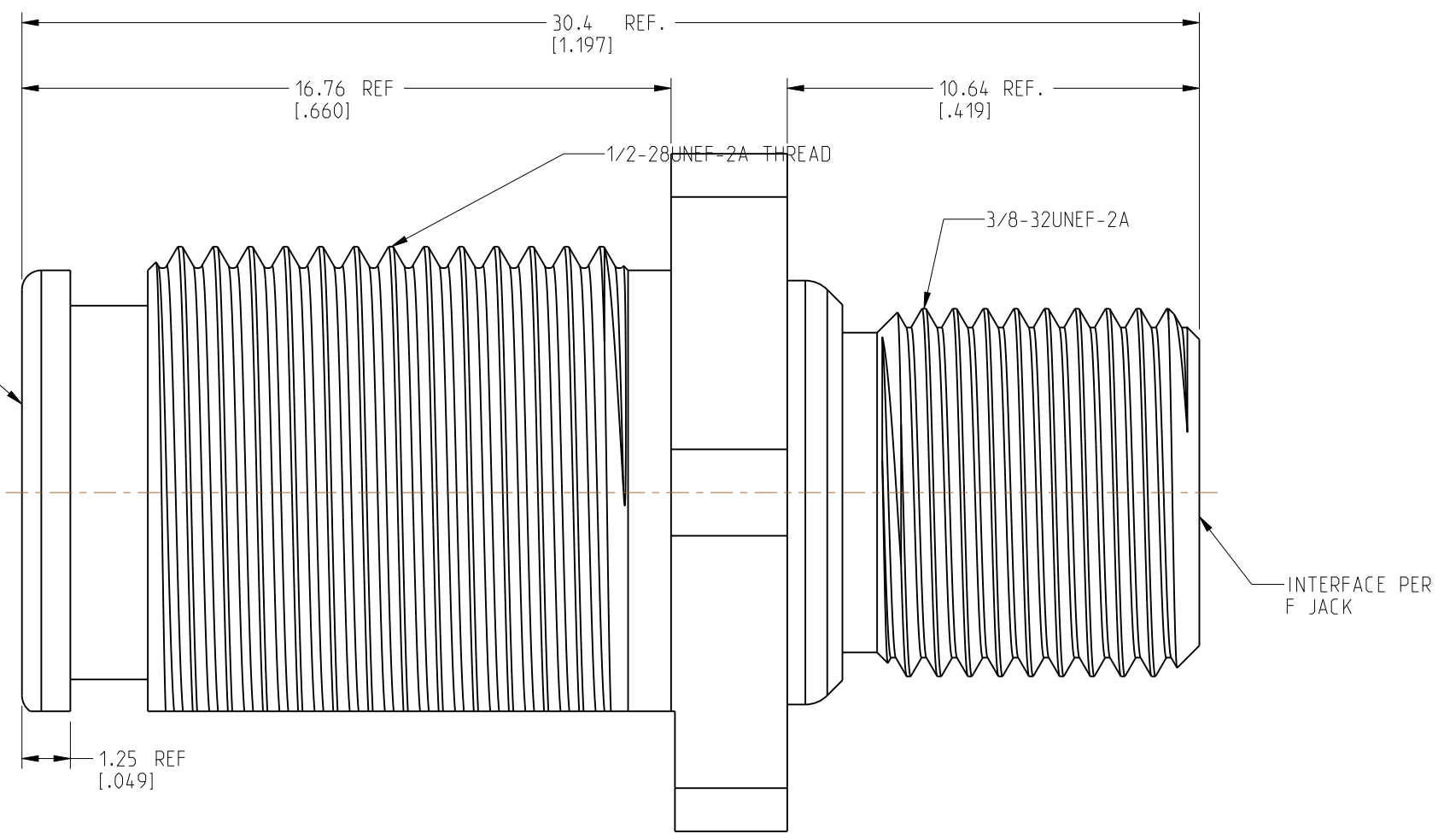
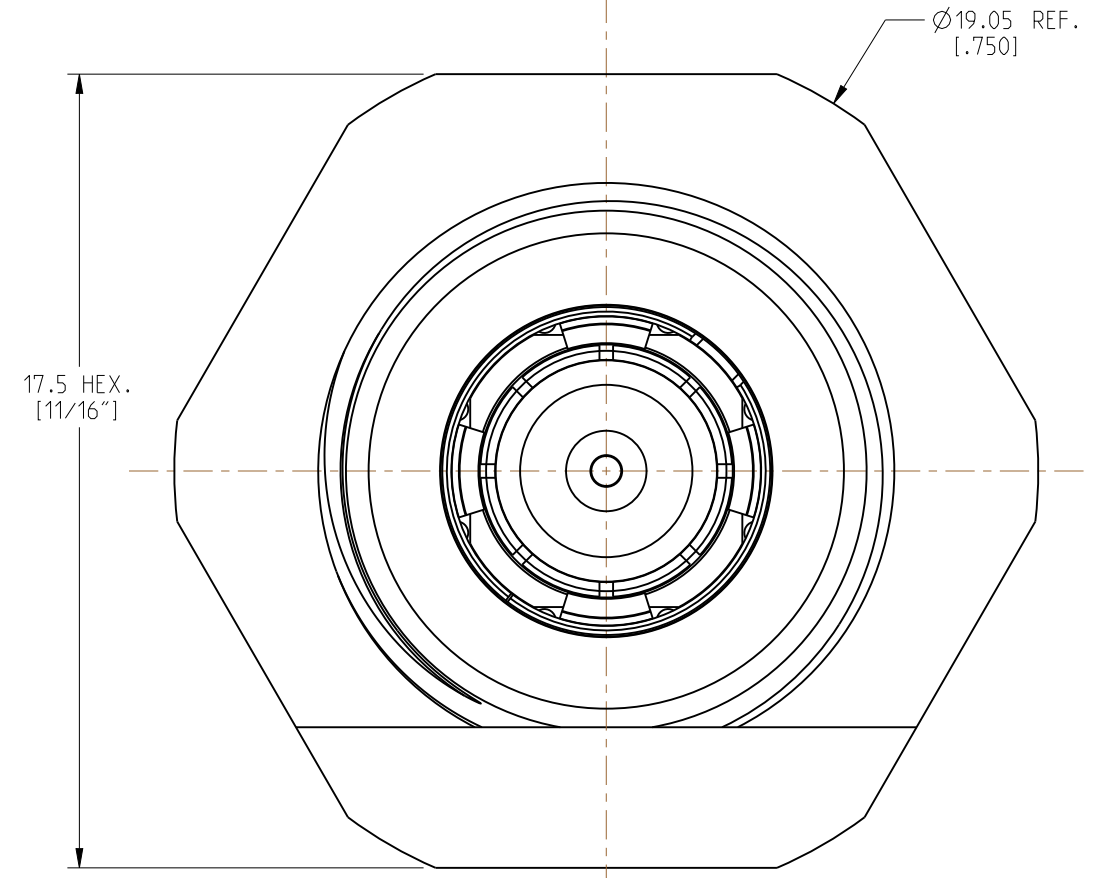
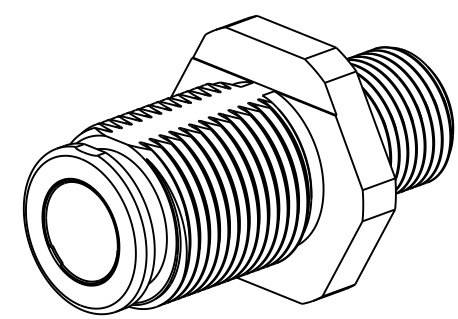
2

1

NOTES:

- 1. MATERIALS AND FINISHES:
 BODY - BeCu, NICKEL PLATING
 REAR BODY - BRASS, NICKEL PLATING
 BULKHEAD BODY - BRASS, NICKEL PLATING
 CONTACT - BeCu, GOLD PLATING
 OUTER CONTACT - NICKEL COPPER ALLOY, NICKEL PLATING
 HEX NUT - BRASS, NICKEL PLATING
 LOCKWASHER - PHOSPHOR BRONZE, NICKEL PLATING
 INSULATORS - PTFE & PEEK, NATURAL
- 2. ELECTRICAL:
 A. IMPEDANCE: 75 OHM
 B. FREQUENCY RANGE: DC - 3 GHz
 C. RETURN LOSS: -28dB MIN.
- 3. MECHANICAL:
 A. DURABILITY: 500 CYCLES MIN.
 B. TEMPERATURE RANGE: -40°C TO +140°C
- 4. PACKAGING:
 A. QUANTITY: SINGLE PACK
 B. MARKING: BAG TO BE MARKED
 "AMPHENOL RF, AD-FJNDXJ-2 & DATE CODE"

REVISIONS				
REV	DESCRIPTION	DATE	ECN	BY
1	PROTOTYPE RELEASE	02-SEP-21	----	TL
2	BULKHEAD BODY CHANGED TO FORM OVER	30-SEP-21	----	TL
3	HEX NUT & LOCKWASHER ADDED	13-DEC-21	----	TL



CUSTOMER OUTLINE DRAWING
 ALL OTHER SHEETS ARE FOR INTERNAL USE ONLY

NOTICE: These drawings, specifications, or other data (1) are, and remain the property of Amphenol corp. (2) must be returned upon request; and (3) are confidential and not to be disclosed to any person other than those to whom they are given by Amphenol Corp. The furnishing of these drawings, specifications, or other data by Amphenol Corp., or to any other person to anyone for any purpose is not to be regarded by implication or otherwise in any manner licensing, granting rights to permitting such holder or any other person to manufacture, use or sell any product, process or design, patented or otherwise, that may in any way be related to or disclosed by said drawings, specifications, or other data.			UNLESS OTHERWISE SPECIFIED DIMENSIONS ARE METRIC (INCHES) AND TOLERANCES ARE: <0.5mm = ±0.05mm [± 0.002] >0.5 - 6mm = ±0.1mm [± 0.004] >6.00 - 30mm = ±0.2mm [± 0.008] >30.00 - 120mm = ±0.3mm [± 0.012] ANGLES = ±1°			MATERIAL ENGR.1 T.LIPKIN ENGR.2 DATE 02-SEP-21			TITLE TYPE F JACK TO NDX JACK BULKHEAD ADAPTER SHEET NO. 2 OF 2 SCALE: 6.0:1.0			Amphenol RF DRAWING NO. AD-FJNDXJ-2 ITEM NO. AD-FJNDXJ-2 PART NO. AD-FJNDXJ-2 REV 3		
THIRD ANGLE PROJ.			REFERENCE AD-NDXJNDXJ-1			EAR# 9849								

5

4

3

2

1