

5

4

3

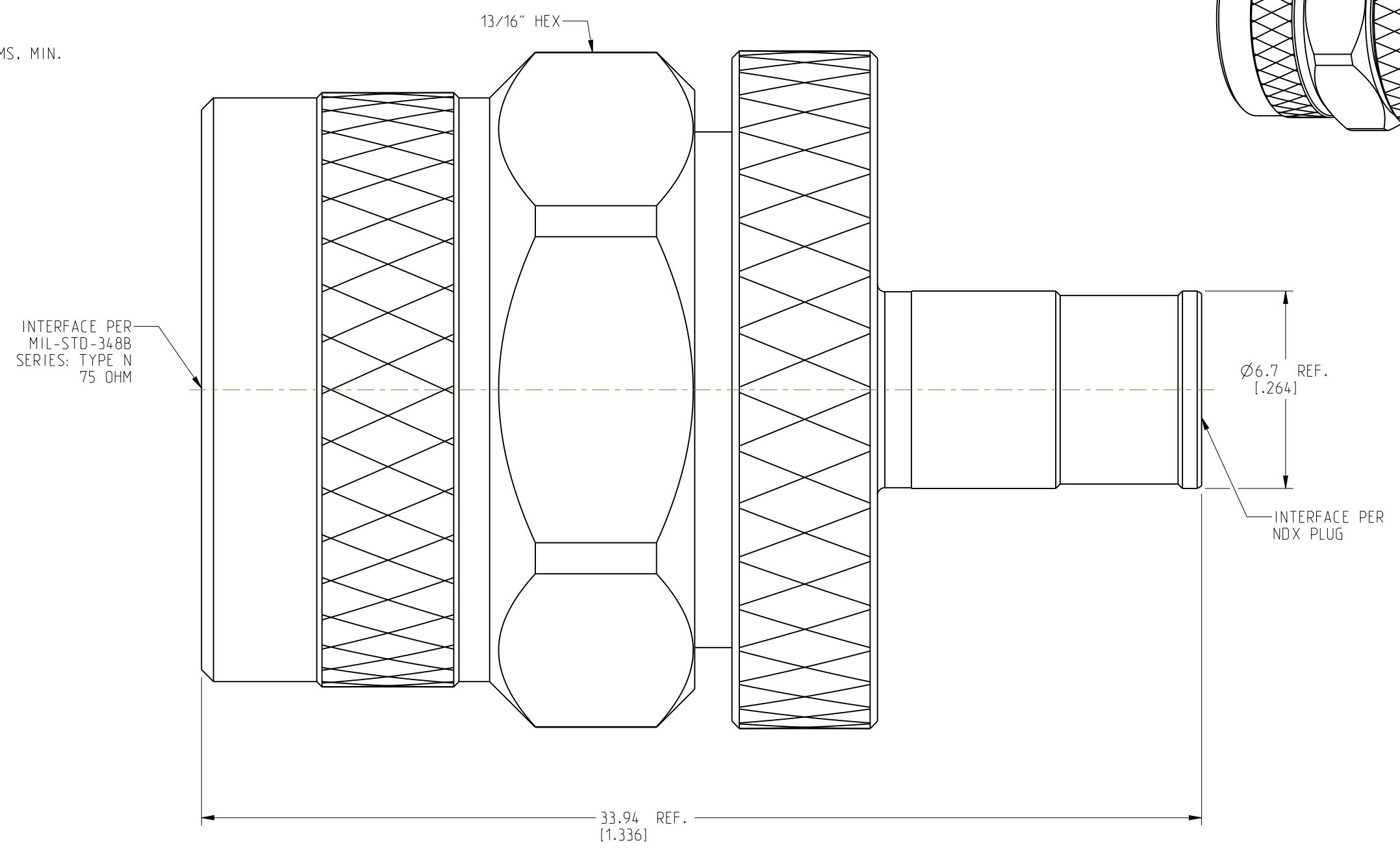
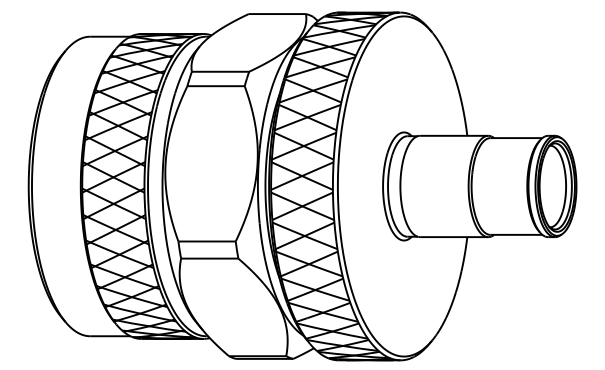
2

1

NOTES:

- 1. MATERIALS AND FINISHES:
 BODY - BRASS, NICKEL PLATING
 CONTACT - PHOSPHOR BRONZE, GOLD PLATING
 INSULATOR - PTFE, NATURAL
 COUPLING NUT - BRASS, NICKEL PLATING
 RETAINING RING - SUS 304, NATURAL
- 2. ELECTRICAL:
 A. IMPEDANCE: 75 OHM
 B. FREQUENCY RANGE: DC-12 GHz
 C. VSWR(RETURN LOSS): -28 dB DC - 3 GHz
 -22 dB 3 - 6 GHz
 D. DIELECTRIC WITHSTANDING VOLTAGE: 1000 VRMS. MIN.
- 3. MECHANICAL:
 A. DURABILITY: 500 CYCLES MIN.
 B. TEMPERATURE RANGE: -65° C TO 165° C
- 4. PACKAGING:
 A. QUANTITY: SINGLE PACK
 B. MARKING: PACKAGING TO BE MARKED
 "AMPHENOL RF, AD-NPNDXP-1 & DATE CODE"

REVISIONS				
REV	DESCRIPTION	DATE	ECN	BY
1	PRELIMINARY RELEASE	03-NOV-21	----	TL



CUSTOMER OUTLINE DRAWING
 ALL OTHER SHEETS ARE FOR INTERNAL USE ONLY

NOTICE: These drawings, specifications, or other data (1) are, and remain the property of Amphenol corp. (2) must be returned upon request; and (3) are confidential and not to be disclosed to any person other than those to whom they are given by Amphenol Corp. The furnishing of these drawings, specifications, or other data by Amphenol Corp., or to any other person to anyone for any purpose is not to be regarded by implication or otherwise in any manner licensing, granting rights to permitting such holder or any other person to manufacture, use or sell any product, process or design, patented or otherwise, that may in any way be related to or disclosed by said drawings, specifications, or other data.

THIRD ANGLE PROJ.

REFERENCE AD-NPNDXJ-1	EAR# 9849
--------------------------	--------------

UNLESS OTHERWISE SPECIFIED
 DIMENSIONS ARE METRIC (INCHES) AND TOLERANCES ARE:

<0.5mm = ±0.05mm	[<0.020 = ±0.002]
>0.5 - 6mm = ±0.1mm	[>0.020 - 0.236 = ±0.004]
>6.00 - 30mm = ±0.2mm	[>0.236 - 1.181 = ±0.008]
>30.00 - 120mm = ±0.3mm	[>1.181 - 4.725 = ±0.012]

ANGLES = ±1°

MATERIAL	TITLE
ENGR.1 T.LIPKIN	TYPE N PLUG TO NDX PLUG ADAPTER
ENGR.2	DATE 03-NOV-21

SHEET NO. 2 OF 2	SCALE: 6.0:1.0
------------------	----------------

Amphenol RF		REV
		1
		SIZE B
DRAWING NO.	AD-NPNDXP-1	REV
ITEM NO.	AD-NPNDXP-1	
PART NO.	AD-NPNDXP-1	

5

4

3

2

1