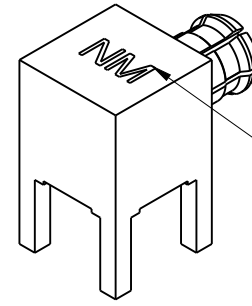


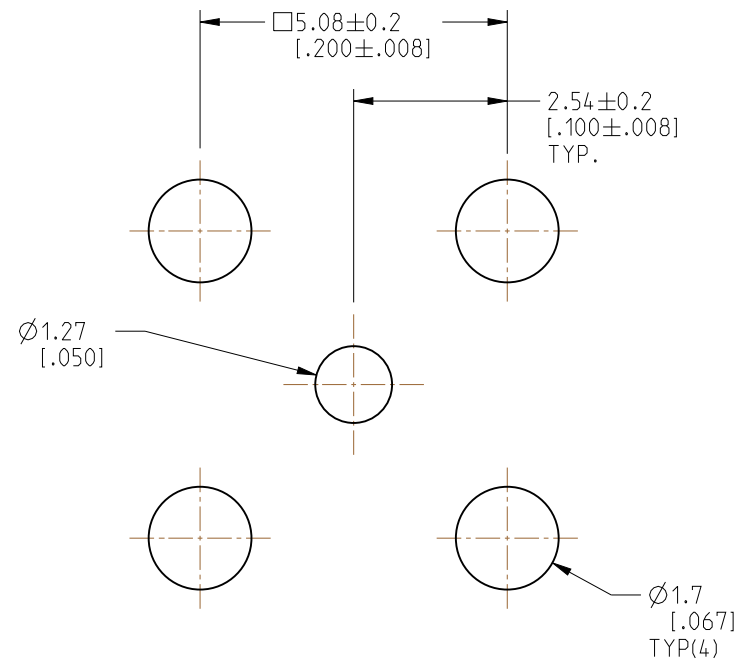
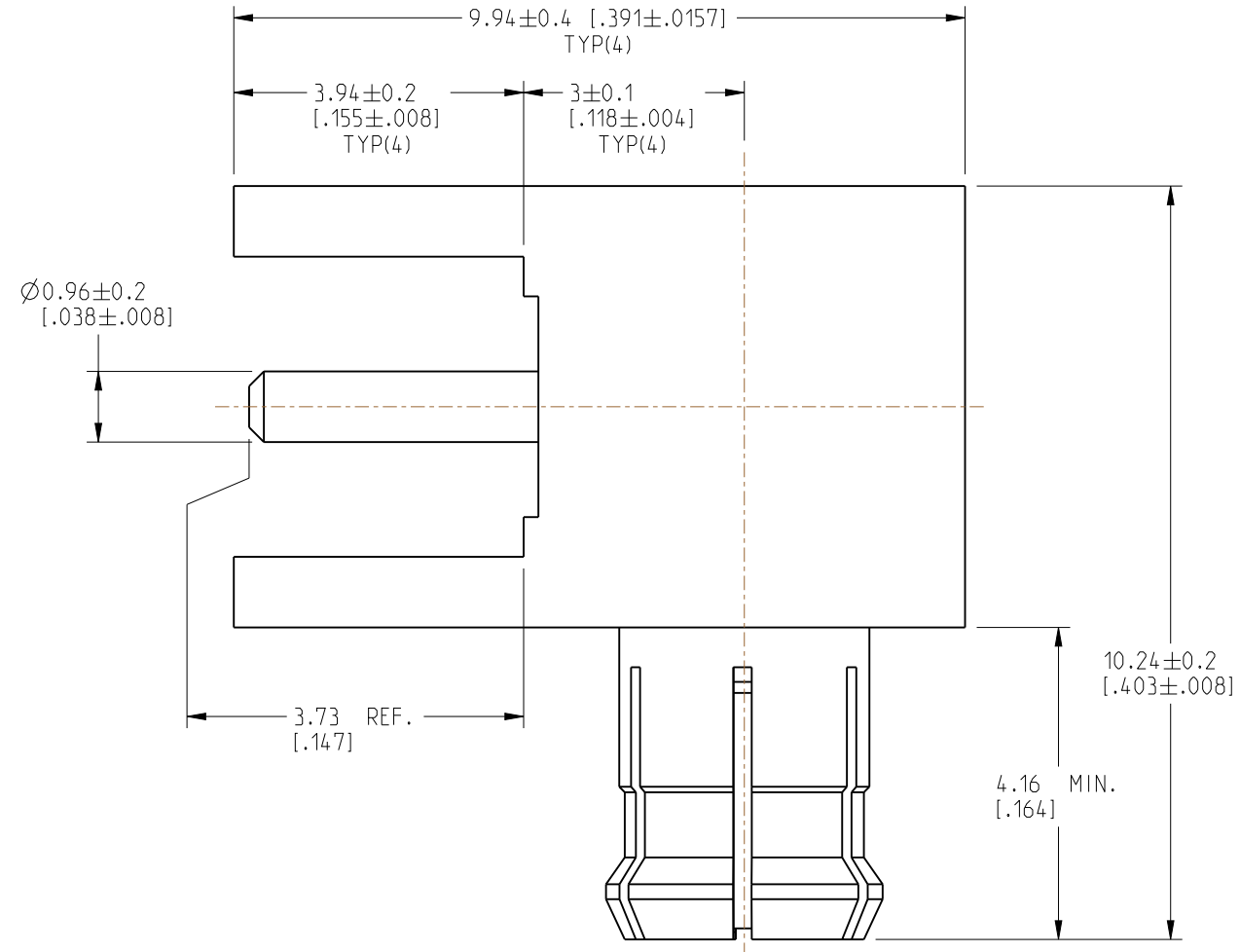
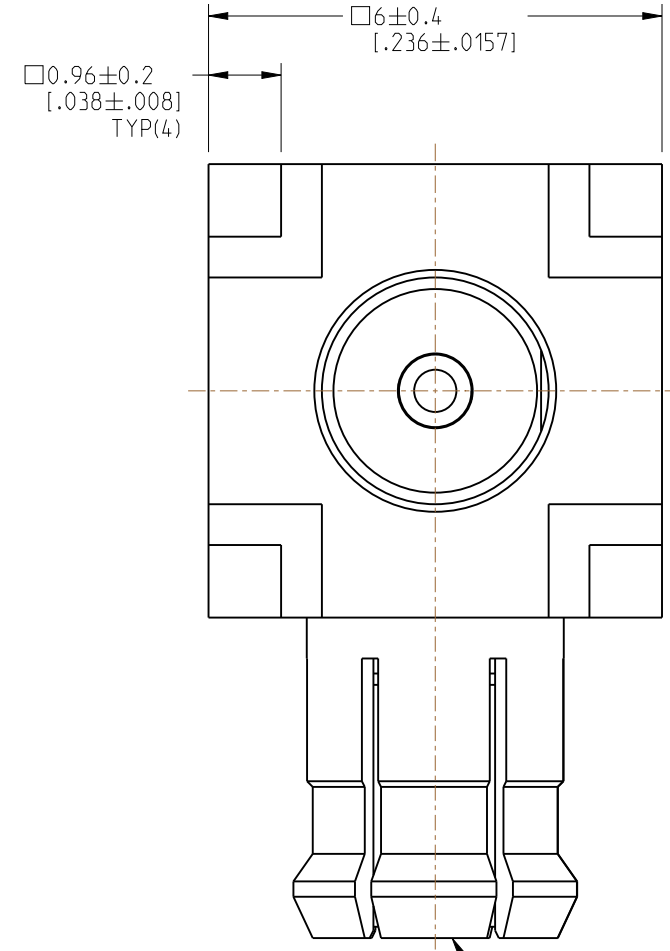
NOTES:

1. MATERIALS AND FINISHES:  
 CUBE BODY - BERYLLIUM COPPER, WHITE BRONZE PLATING  
 CONTACT - BERYLLIUM COPPER, GOLD PLATING  
 OUTER CONTACT - BERYLLIUM COPPER, GOLD PLATING  
 INSULATOR - PTFE, NATURAL
2. ELECTRICAL:  
 A. IMPEDANCE: 50 OHM  
 B. FREQUENCY RANGE: DC-6 GHz  
 D. DIELECTRIC WITHSTANDING VOLTAGE: 1000 VRMS, MIN.
3. MECHANICAL:  
 A. DURABILITY: 500 CYCLES MIN.  
 B. TEMPERATURE RANGE: -65°C TO +165°C
4. PACKAGING:  
 A. QUANTITY: SINGLE PACK  
 B. MARKING: PACKAGING TO BE MARKED  
 "AMPHENOL RF, 919-NM174P51A1X, AND DATE CODE"  
 AND "NON-MAGNETIC CONNECTORS"

REVISIONS				
REV	DESCRIPTION	DATE	ECN	BY
A	RELEASE TO MFG.	24-Mar-26	17837	LQ



THIS SURFACE MARKED "NM"  
 TO SIGNIFY  
 NON-MAGNETIC CONNECTORS



**RECOMMENDED  
 PCB MOUNTING HOLE LAYOUT**

INTERFACE PER  
 CECC 22220  
 SERIES: MCX PLUG

**CUSTOMER OUTLINE DRAWING**

ALL OTHER SHEETS ARE FOR INTERNAL USE ONLY

NOTICE: These drawings, specifications, or other data (1) are, and remain the property of Amphenol corp. (2) must be returned upon request; and (3) are confidential and not to be disclosed to any person other than those to whom they are given by Amphenol Corp. The furnishing of these drawings, specifications, or other data by Amphenol Corp., or to any other person to anyone for any purpose is not to be regarded by implication or otherwise in any manner licensing, granting rights to permitting such holder or any other person to manufacture, use or sell any product, process or design, patented or otherwise, that may in any way be related to or disclosed by said drawings, specifications, or other data.			UNLESS OTHERWISE SPECIFIED DIMENSIONS ARE METRIC (INCHES) AND TOLERANCES ARE: <0.5mm = ±0.05mm [ $<0.020 = \pm 0.002$ ] 0.5 - 6mm = ±0.1mm [ $>0.020 - 0.236 = \pm 0.004$ ] >6.00 - 30mm = ±0.2mm [ $>0.236 - 1.181 = \pm 0.008$ ] >30.00 - 120mm = ±0.3mm [ $>1.181 - 4.725 = \pm 0.012$ ] ANGLES = ±1°			MATERIAL SEE NOTES			TITLE MCX R/A PCB RECEPT, PLUG NON-MAGNETIC			Amphenol RF																							
THIRD ANGLE PROJ.			REFERENCE 919-174P-51A1X			EAR# 13126			ENGR.1 S. HOFFLER			ENGR.2 M. ZHANG			DATE 19-Mar-26			SHEET NO. 2 OF 2			SCALE: 10.0:1.0			DRAWING NO. 919-NM174P51A1X			ITEM NO. 919-NM174P51A1X			PART NO. 919-NM174P51A1X			REV A		