

NOTES:

1. MATERIALS AND FINISHES:  
 BODY & CONTACT - BeCu, GOLD PLATING  
 HOUSING & SPACER - BRASS, GOLD PLATING  
 INSULATORS - PTFE, NATURAL  
 FERRULE - COPPER, NICKEL PLATING  
 RETAINER RING - BeCu, NICKEL PLATING  
 INSULATOR DISC - PEEK, NATURAL
2. ELECTRICAL:  
 A. IMPEDANCE: 50 OHM  
 B. FREQUENCY RANGE: DC - 6 GHz  
 C. VSWR (RETURN LOSS): 1.28 MAX. (-18 dB MIN.) @ DC - 6 GHz  
 D. DIELECTRIC WITHSTANDING VOLTAGE: 500 VRMS, MIN.
3. MECHANICAL:  
 A. DURABILITY: 100 CYCLES MIN. WHEN MATED FULL DETENT JACK  
 500 CYCLES MIN. WHEN MATED LIMITED DETENT JACK  
 1000 CYCLES MIN. WHEN MATED A SMOOTH BORE JACK  
 B. TEMPERATURE RANGE: -65°C TO +165°C  
 C. MATING FORCES (PER DSCC #94007):  

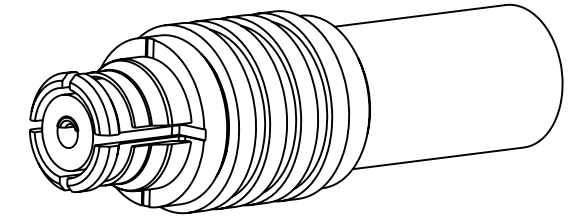
ENGAGEMENT:		DISENGAGEMENT:	
FULL DETENT:	15 LBS (67 N) MAX.	FULL DETENT:	2 LBS (9 N) MIN.
LIMITED DETENT:	10 LBS (45 N) MAX.	LIMITED DETENT:	2 LBS (9 N) MIN.
SMOOTH BORE:	2 LBS (9 N) MAX.	SMOOTH BORE:	0.5 LBS (2.2 N) MIN.

4. PACKAGING:  
 A. QUANTITY: SINGLE PACK  
 B. MARKING: BAG TO BE MARKED  
 "AMPHENOL RF, SMP-FS-C19 AND DATE CODE"
5. CABLE ASSEMBLY INSTRUCTIONS:  
 A. TRIM CABLE AS SHOWN.  
 B. SLIDE FERRULE, SPACER AND INSULATOR DISC ONTO CABLE.  
 C. SOLDER CABLE CENTER CONDUCTOR TO CONTACT.  
 D. INSERT CABLE WITH FOIL ENTERING CONNECTOR AND BRAID OVER KNURL.  
 E. CRIMP FERRULE OVER BRAID WITH .128" HEX DIE.

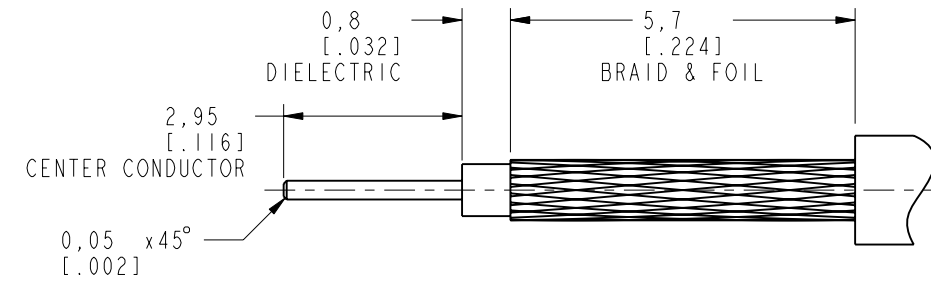
6 SHOWS CABLE ENTRY DIMENSIONS.

THIRD ANGLE PROJ.

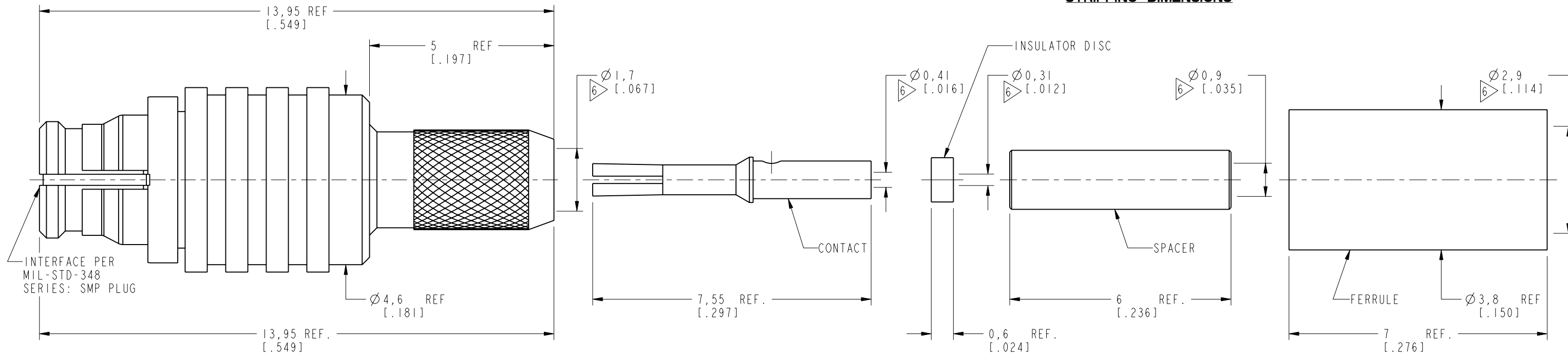
REV		DESCRIPTION	DATE	ECN	APPR
A		RELEASE TO MFG.	18-Dec-18	10025	EH



SCALE 5.000



**RECOMMENDED CABLE STRIPPING DIMENSIONS**



**CUSTOMER OUTLINE DRAWING**

ALL OTHER SHEETS ARE FOR INTERNAL USE ONLY

UNLESS OTHERWISE SPECIFIED, DIMENSIONS ARE IN METRIC AND TOLERANCES ARE: <0.5mm ±0.05mm    0.5 - 6mm ±0.1mm    6 - 30mm ±0.2mm    30 - 120mm ±0.3mm    ANGLES ±1°	MATERIAL SEE NOTES  REFERENCE EAR# 8025 REF: SMP-FS-C08-1-R  CONFIGURATION LEVEL: In Work  FINISH	DRAWN M. ZHANG  ENGINEER LOKESH P  APPROVED S. HSIEH  CAD FILE	DATE 18-Dec-18  DATE 04-Dec-17  DATE 21-Dec-18  TITLE SMP STR PLUG WITH ROCK RING FOR RG 178 CABLE  SCALE: 9.5:1.0    SHEET 2 OF 2  DWG SIZE B  REV A	Amphenol RF  www.amphenolrf.com  DRAWING NO. SMP-FS-C19 ITEM NO. SMP-FS-C19 PART NO. SMP-FS-C19
--	--	---	---	---

NOTICE - These drawings, specifications, or other data (1) are, and remain the property of Amphenol corp. (2) must be returned upon request; and (3) are confidential and not to be disclosed to any person other than those to whom they are given by Amphenol Corp. the furnishing of these drawings, specifications, or other data by Amphenol Corp., or to any other person to anyone for any purpose is not to be regarded by implication or otherwise in any manner licensing, granting rights to permitting such holder or any other person to manufacture, use or sell any product, process or design, patented or otherwise, that may in any way be related to or disclosed by said drawings, specifications, or other data.