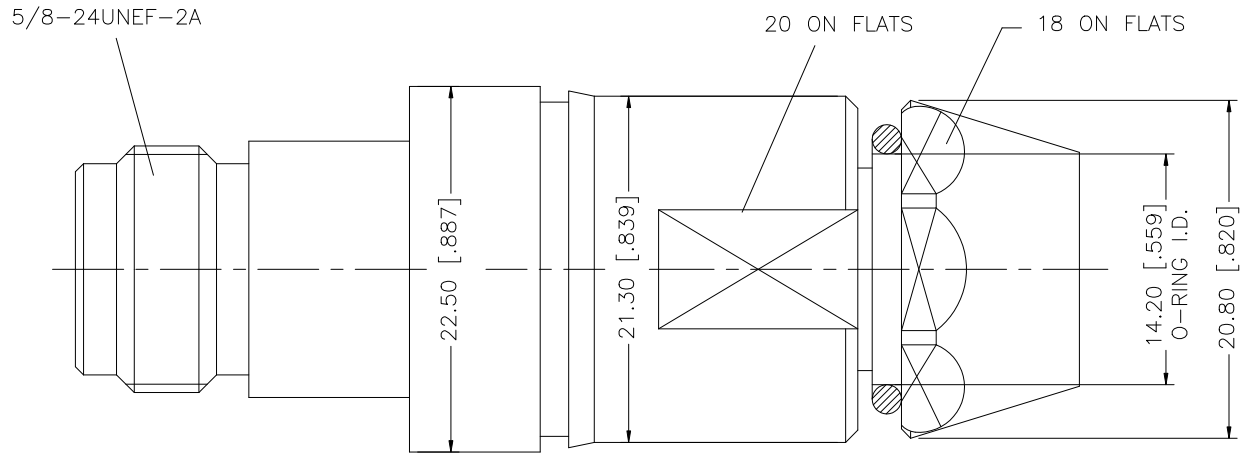


REV.	DATE	DESCRIPTION
NC	07/31/07	INITIAL RELEASE



8				<small>UNLESS OTHERWISE SPECIFIED DIMENSIONS ARE IN MILLIMETERS; DIMENSIONS IN [] ARE IN INCHES AND FOR CUSTOMER REFERENCE ONLY.</small> <small>UNLESS OTHERWISE SPECIFIED TOLERANCES FOR MILLIMETERS ARE:</small> 0.5 - 8mm ± 0.20mm 8 - 30mm ± 0.40mm 30 - 120mm ± 0.50mm <small>UNLESS OTHERWISE SPECIFIED TOLERANCES FOR INCHES ARE:</small> .020 - .315 = ± 0.007" .315 - 1.180 = ± 0.015" 1.180 - 4.724 = ± 0.020"	APPROVALS	DATE	<h1 style="color: blue;">Amphenol Connex</h1>		
7					DRAWN	G.R.S.		07/31/07	PART DESCRIPTION N JACK (FOR 1/2" CORRUGATED HELICAL CABLE)
6					CHECKED				
5					ISSUED				
4					SHEET	1 OF 1			
3	CONTACT PIN	BER. COPPER	GOLD	1	PART NO. 172FJH4				
2	INSULATOR	TEFLON	NATURAL	1	DWG. NO. 172FJH4.DWG				
1	BODY	BRASS	NEXCOTE	1	REV. NC SIZE A SCALE NA				
	DESCRIPTION	MATERIAL	FINISH	QTY	DO NOT SCALE DRAWING C:/172/172FJH4.DWG				