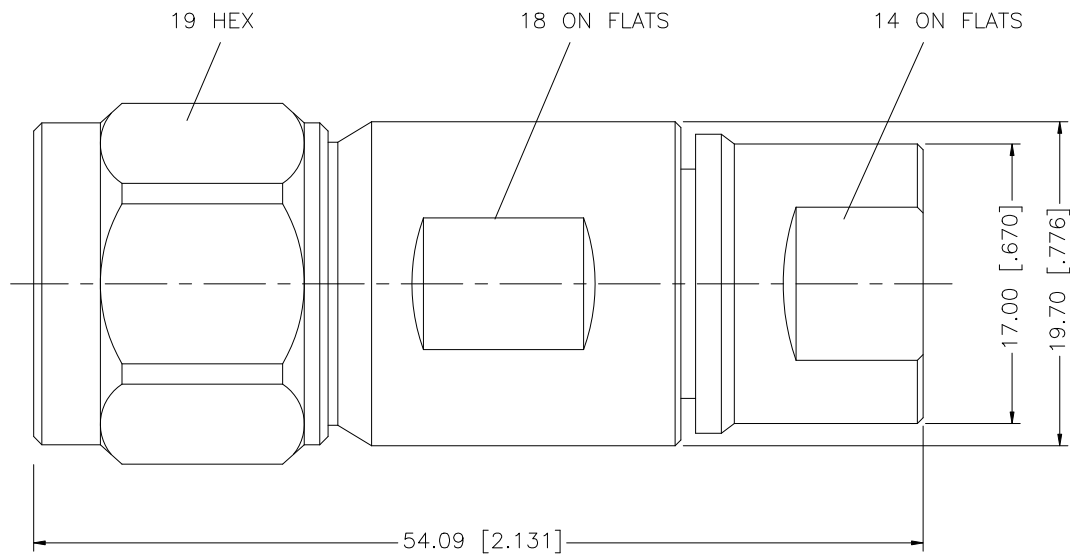
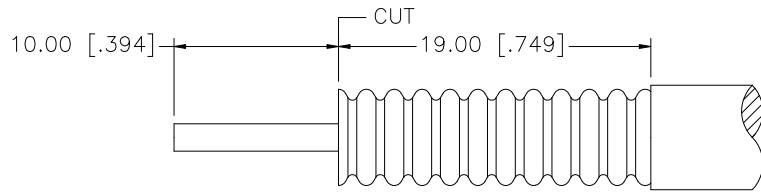


| REV. | DATE     | ECR NO. | DESCRIPTION     |
|------|----------|---------|-----------------|
| NC   | 03/27/09 | -       | INITIAL RELEASE |



|   |                 |          |         |     |
|---|-----------------|----------|---------|-----|
| 8 |                 |          |         |     |
| 7 |                 |          |         |     |
| 6 |                 |          |         |     |
| 5 |                 |          |         |     |
| 4 | NUT             | HPb59-1  | NICKEL  | 1   |
| 3 | INSULATOR       | PTFE     | NATURAL | 1   |
| 2 | OUTER CONDUCTOR | C3602    | NEXCOTE | 1   |
| 1 | INNER CONDUCTOR | C3602    | SILVER  | 1   |
|   | DESCRIPTION     | MATERIAL | FINISH  | QTY |

UNLESS OTHERWISE SPECIFIED DIMENSIONS ARE IN MILLIMETERS. DIMENSIONS IN [ ] ARE IN INCHES AND FOR CUSTOMER REFERENCE ONLY.

UNLESS OTHERWISE SPECIFIED TOLERANCES FOR MILLIMETERS ARE:  
0.5 - 8mm ± 0.20mm  
8 - 30mm ± 0.40mm  
30 - 120mm ± 0.50mm

UNLESS OTHERWISE SPECIFIED TOLERANCES FOR INCHES ARE:  
.020 - .315 = ± 0.007"  
.315 - 1.180 = ± 0.015"  
1.180 - 4.724 = ± 0.020"

DO NOT SCALE DRAWING

| APPROVALS |                    | DATE     |
|-----------|--------------------|----------|
| DRAWN     | G.R.S.             | 03/27/09 |
| CHECKED   |                    |          |
| ISSUED    |                    |          |
| SHEET     | 1 OF 1             |          |
| CAD FILE  | C:/172/172FPA1.DWG |          |

# Amphenol Connex

|                               |             |       |    |
|-------------------------------|-------------|-------|----|
| PART DESCRIPTION              |             |       |    |
| N PLUG FOR 1/4" ANNULAR CABLE |             |       |    |
| PART NO.                      |             |       |    |
| 172FPA1                       |             |       |    |
| DWG. NO.                      | 172FPA1.DWG | REV.  | NC |
| SIZE                          | A           | SCALE | NA |