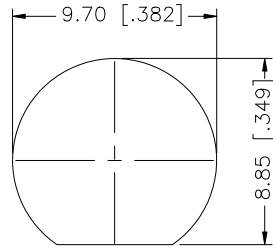
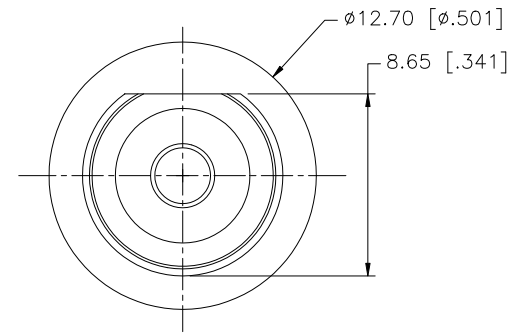
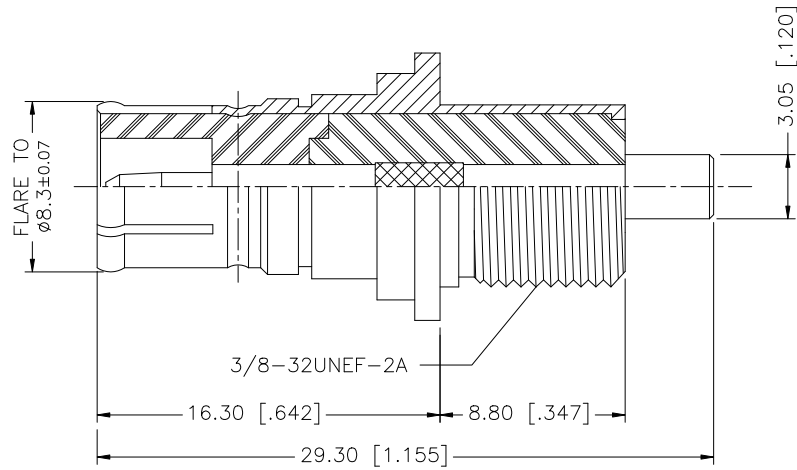


REV.	DATE	ECR NO.	DESCRIPTION
NC	10/02/08	-	INITIAL RELEASE
A	01/19/09	-	REVISE INSULATOR MATERIAL TO PTFE
B	02/09/09	-	ADD X-SECTION TO PART/ CONTACT PIN TO $\phi 3.05$



RECOMMENDED MOUNTING HOLE



8				
7				
6				
5				
4				
3	CONTACT PIN	PHOS. BRONZE	GOLD	1
2	INSULATOR	PTFE	NATURAL	2
1	BODY	BRASS	NICKEL	1
	DESCRIPTION	MATERIAL	FINISH	QTY

UNLESS OTHERWISE SPECIFIED DIMENSIONS ARE IN MILLIMETERS. DIMENSIONS IN [] ARE IN INCHES AND FOR CUSTOMER REFERENCE ONLY.

UNLESS OTHERWISE SPECIFIED TOLERANCES FOR MILLIMETERS ARE:
0.5 - 8mm ± 0.20mm
8 - 30mm ± 0.40mm
30 - 120mm ± 0.50mm

UNLESS OTHERWISE SPECIFIED TOLERANCES FOR INCHES ARE:
.020 - .315 = ± 0.007"
.315 - 1.180 = ± 0.015"
1.180 - 4.724 = ± 0.020"

DO NOT SCALE DRAWING

APPROVALS	DATE
DRAWN GRS	02/09/09
CHECKED	
ISSUED	
SHEET 1 OF 1	
CAD FILE	C:/112/112420-11.DWG

Amphenol Connex

PART DESCRIPTION				
BNC BULKHEAD PLUG BLUNT POST PUSH-ON				
PART NO. 112420-11				
DWG. NO.	112420-11.DWG	REV.	B	SCALE NA