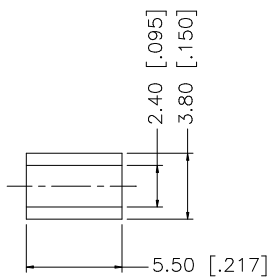
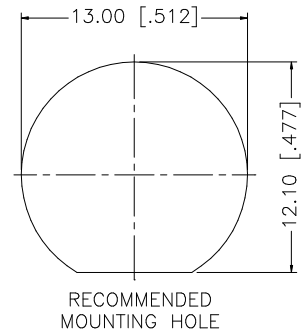
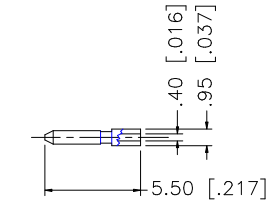
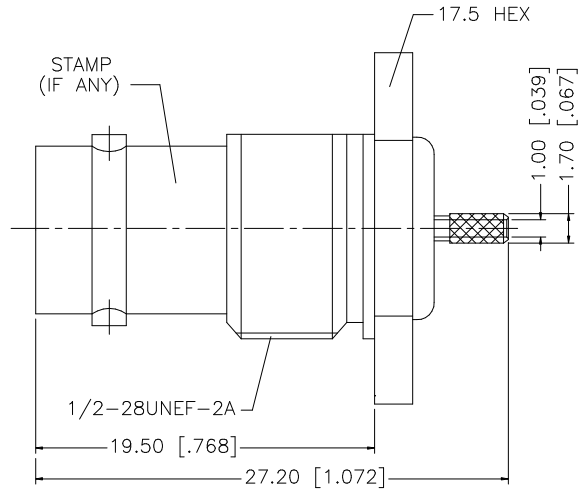
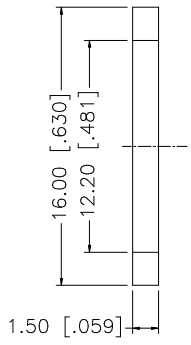
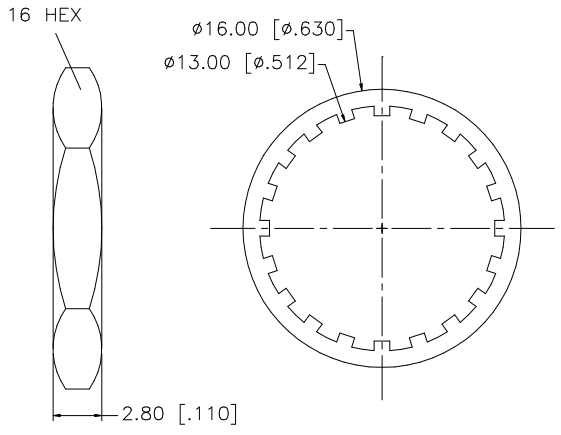
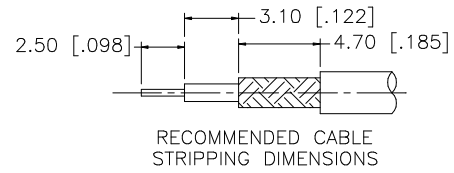


REV.	DATE	DESCRIPTION
NC	10/02/06	INITIAL RELEASE



QTY	DESCRIPTION	MATERIAL	FINISH
8	FERRULE	COPPER	NICKEL
7	HEX NUT	BRASS	NICKEL
6	LOCK WASHER	BRASS	NICKEL
5	GASKET	RUBBER	RED
4	CONTACT PIN	BRASS	GOLD
3	CONTACT PIN	PHOS. BRONZE	GOLD
2	INSULATOR	TEFLON	NATURAL
1	BODY/HOUSING	BRASS	NICKEL

UNLESS OTHERWISE SPECIFIED DIMENSIONS ARE IN MILLIMETERS. DIMENSIONS IN [] ARE IN INCHES AND FOR CUSTOMER REFERENCE ONLY.

UNLESS OTHERWISE SPECIFIED TOLERANCES FOR MILLIMETERS ARE:
0.5 - 8mm ± 0.20mm
8 - 30mm ± 0.40mm
30 - 120mm ± 0.50mm

UNLESS OTHERWISE SPECIFIED TOLERANCES FOR INCHES ARE:
.020 - .315 = ± 0.007"
.315 - 1.180 = ± 0.015"
1.180 - 4.724 = ± 0.020"

DO NOT SCALE DRAWING

APPROVALS	DATE
DRAWN G.R.S.	10/02/06
CHECKED	
ISSUED	
SHEET 1 OF 1	
CAD FILE C:/112/112522RP.DWG	

Amphenol Connex

PART DESCRIPTION
**BNC REVERSE POLARITY BULKHEAD CRIMP JACK
(FOR RG-178/U, 196/U CABLE)**

PART NO.
112522RP

DWG. NO.	112522RP.DWG	REV.	NC	SIZE	A	SCALE	NA
----------	--------------	------	----	------	---	-------	----