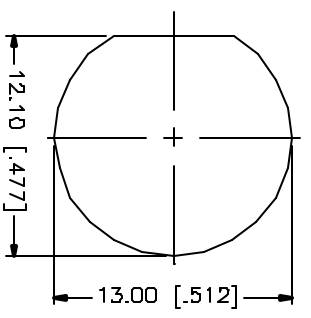
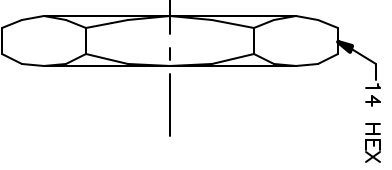
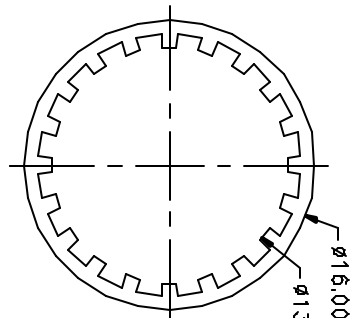
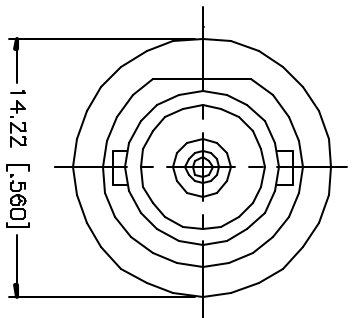
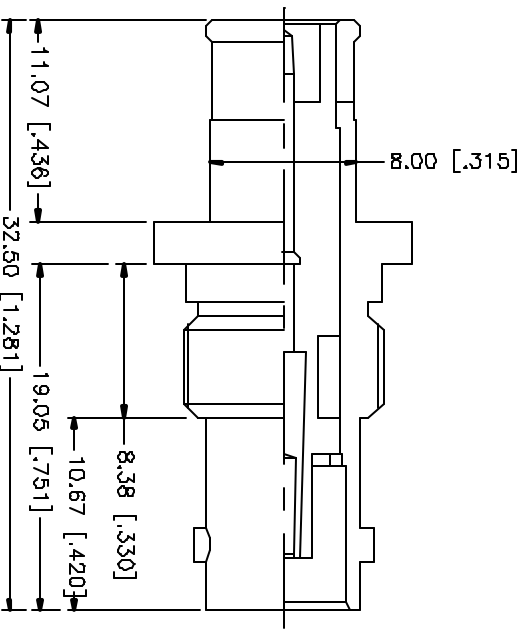


REV.	DATE	DESCRIPTION
NC	05/04/05	INITIAL RELEASE



RECOMMENDED MOUNTING HOLE

NO.	DESCRIPTION	MATERIAL	FINISH	QTY
1	BODY	BRASS	NICKEL	1
2	INSULATOR	TEFLON	NATURAL	1
3	CONTACT PIN	PHOS. BRONZE	GOLD	1
4	LOCK WASHER	BRASS	NICKEL	1
5	HEX NUT	BRASS	NICKEL	1
6				
7				
8				

UNLESS OTHERWISE SPECIFIED DIMENSIONS ARE IN MILLIMETERS FOR DIMENSIONS IN INCHES AND FOR DIMENSIONS IN PARENTHESIS UNLESS OTHERWISE SPECIFIED	APPROVALS	DATE
UNLESS OTHERWISE SPECIFIED DIMENSIONS FOR MILLIMETER ARE: 0.5 - 0.1mm ± 0.20mm & - 3.0mm ± 0.40mm 30 - 120mm ± 0.50mm	DRAWN G.R.S.	05/04/05
UNLESS OTHERWISE SPECIFIED DIMENSIONS FOR INCHES ARE: .020 - .315 ± 0.012" .315 - 1.180 ± 0.014" 1.180 - 4.724 ± 0.020"	CHECKED	
DO NOT SCALE DRAWING	ISSUED	
	SHEET 1 OF 1	

CAD FILE	C:/112/112532-15.DWG
DWG. NO.	112532-15.DWG
REV.	NC
SIZE	A
SCALE	NA

<b>Amphenol Connex</b>	
PART DESCRIPTION	
BNC FEMALE TO MALE PUSH ON ADAPTER (75ohm)	
PART NO.	112532-15