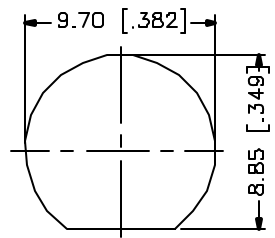
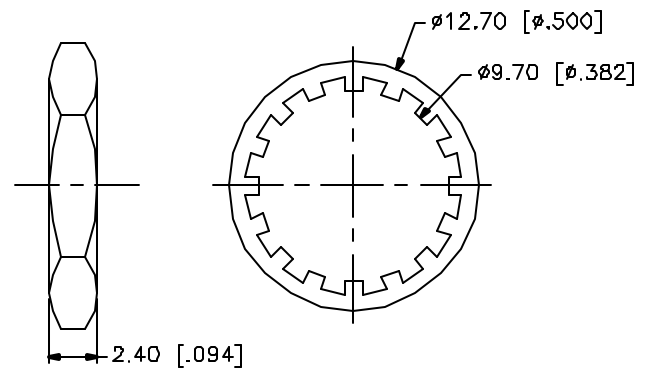
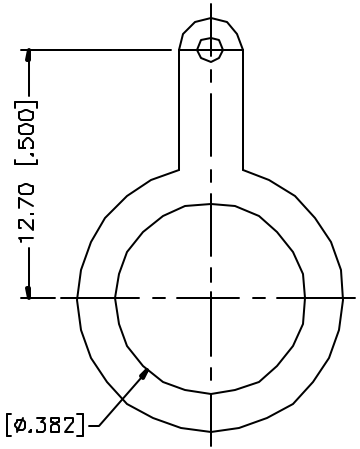
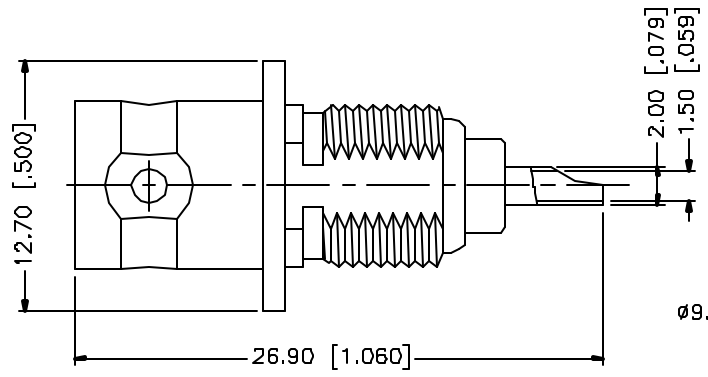


REV.	DATE	DESCRIPTION
NC	06/25/01	INITIAL RELEASE



RECOMMENDED MOUNTING HOLE



8			
7			
6	SOLDER TAG	BRASS	NICKEL
5	HEX NUT	BRASS	NICKEL
4	LOCK WASHER	BRASS	NICKEL
3	CONTACT PIN	BER. COPPER	GOLD
2	INSULATOR	TEFLON	NATURAL
1	BODY	DIECAST	NICKEL
	DESCRIPTION	MATERIAL	FINISH

UNLESS OTHERWISE SPECIFIED DIMENSIONS ARE IN MILLIMETERS

DIMENSIONS IN [ ] ARE IN INCHES FOR CUSTOMER REFERENCE ONLY

UNLESS OTHERWISE SPECIFIED TOLERANCES FOR MILLIMETERS ARE:

0.5-6 = ± 0.2  
6-30 = ± 0.4  
30-120 = ± 0.6  
120-315 = ± 1  
315-1000 = ± 1.6  
1000-2000 = ± 2.4

DO NOT SCALE DRAWING

APPROVALS	DATE
DRAWN G.R.S.	06/25/01
CHECKED	
ISSUED	

# Amphenol Connex

TITLE BNC BULKHEAD RECEPTACLE JACK - 75ohm

SIZE	FSCM NO.	DWG. NO.	REV.
A	99001	112575-75.DWG	NC
SCALE	PART NO.	SHEET	
NA	112575-75	1 OF 1	