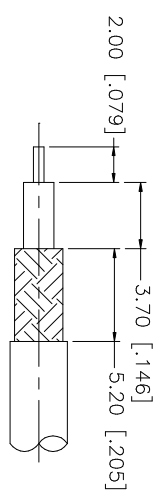
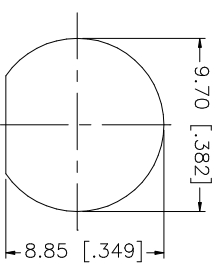
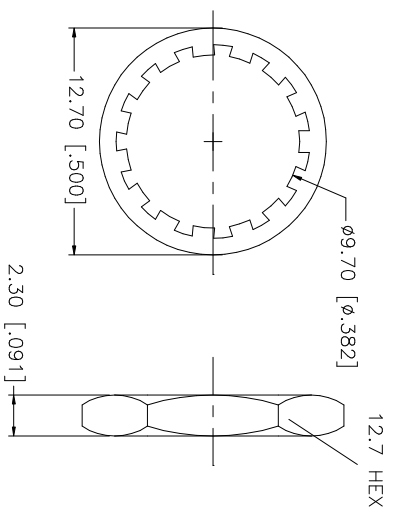
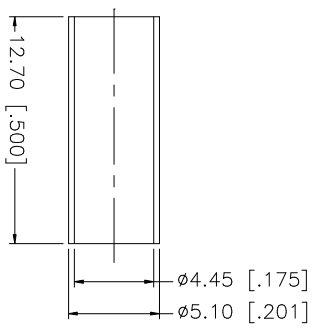
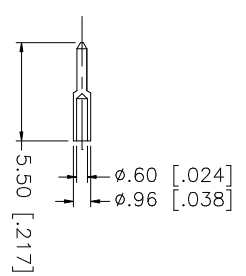
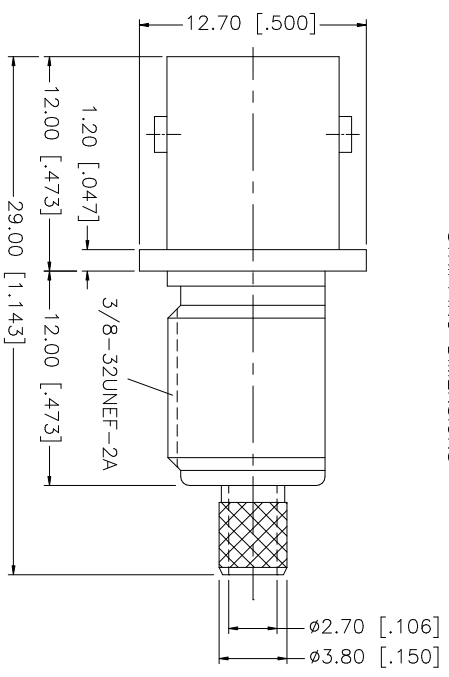


REV.	DATE	DESCRIPTION
NC	08/29/06	INITIAL RELEASE



RECOMMENDED CABLE STRIPPING DIMENSIONS



RECOMMENDED MOUNTING HOLE

DESCRIPTION	MATERIAL	FINISH	QTY	UNLESS OTHERWISE SPECIFIED DIMENSIONS ARE IN INCHES AND FOR CUSTOMER REFERENCE ONLY. TOLERANCES FOR MILLIMETERS ARE:	APPROVALS	DATE	PART DESCRIPTION	DWG. NO.	REV.	SIZE	SCALE
8							<p>Amphenol Connex</p> <p>BNC BULKHEAD CRIMP JACK (front mount) (FOR RG-180, RG-195 CABLE)</p> <p>112734</p>	112734.DWG	NC	A	N/A
7											
6	HEX NUT	BRASS	NICKEL	1	UNLESS OTHERWISE SPECIFIED DIMENSIONS ARE IN INCHES AND FOR CUSTOMER REFERENCE ONLY. TOLERANCES FOR MILLIMETERS ARE:	08/29/06					
5	LOCK WASHER	BRASS	NICKEL	1	0.5 - 8mm ± 0.20mm						
4	FERRULE	BRASS	NICKEL	1	8 - 30mm ± 0.40mm						
3	CONTACT PIN	PHOS. BRONZE	GOLD	1	30 - 120mm ± 0.50mm						
2	INSULATOR	TEFLON	NATURAL	1	UNLESS OTHERWISE SPECIFIED DIMENSIONS FOR INCHES ARE:						
1	BODY	BRASS	NICKEL	1	.020 - .315 = ± 0.007"						
DESCRIPTION				DO NOT SCALE DRAWING							