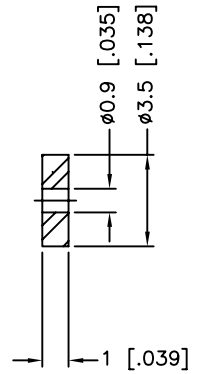
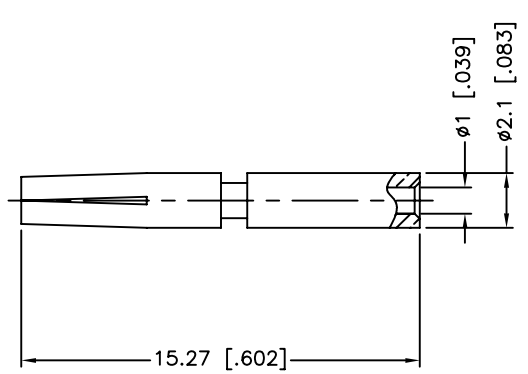
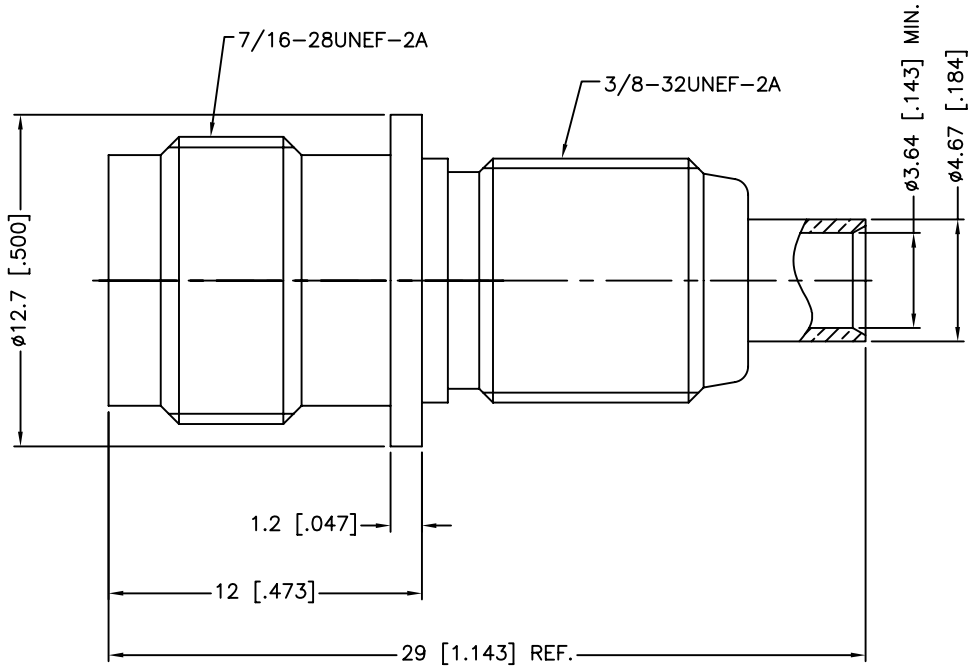
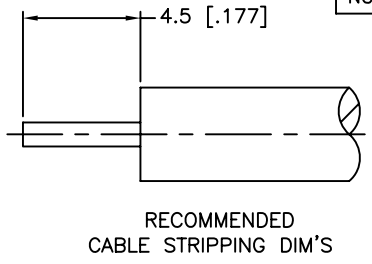
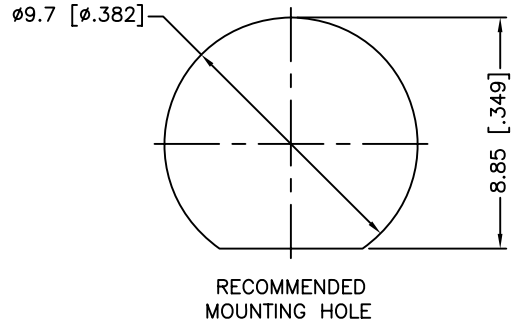


REV.	DATE	ECR NO.	DESCRIPTION
NC	05/07/09	XXXXXX	INITIAL RELEASE



NOTE:  
1. CONTACT PIN TO SOLDER

6	INSULATOR	PTFE	NATURAL	1
5	CONTACT PIN	PHOSPHOR BRONZE	GOLD	1
4	BARREL	BRASS	GOLD	1
3	LOCK RING	BRASS	NICKEL	1
2	INSULATOR	PTFE	NATURAL	1
1	BODY	BRASS	NICKEL	1
DESCRIPTION	MATERIAL	FINISH	QTY	

UNLESS OTHERWISE SPECIFIED DIMENSIONS ARE IN MILLIMETERS. DIMENSIONS IN [ ] ARE IN INCHES AND FOR CUSTOMER REFERENCE ONLY.

UNLESS OTHERWISE SPECIFIED TOLERANCES FOR MILLIMETERS ARE:  
0.5 - 8mm ± 0.20mm  
8 - 30mm ± 0.40mm  
30 - 120mm ± 0.50mm

UNLESS OTHERWISE SPECIFIED TOLERANCES FOR INCHES ARE:  
.020 - .315 ± 0.007"  
.315 - 1.180 ± 0.015"  
1.180 - 4.724 ± 0.020"

DO NOT SCALE DRAWING

APPROVALS	DATE
DRAWN M.ZHANG	05/07/09
CHECKED	
ISSUED	
SHEET 1 OF 1	
CAD FILE	C:/CONNEX/122406-10.DWG

**Amphenol Connex**

PART DESCRIPTION  
**TNC BULKHEAD DIRECT SOLDER JACK  
(FOR .141" CABLE)**

PART NO.  
**122406-10**

DWG. NO.	122406-10.DWG	REV.	NC	SIZE	A	SCALE	NA
----------	---------------	------	----	------	---	-------	----