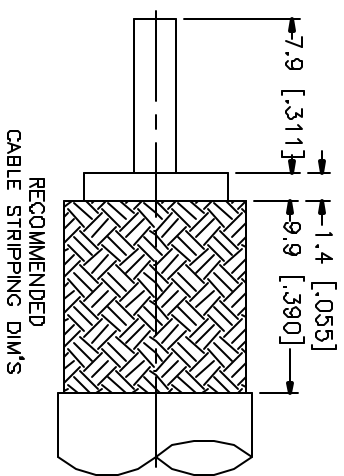
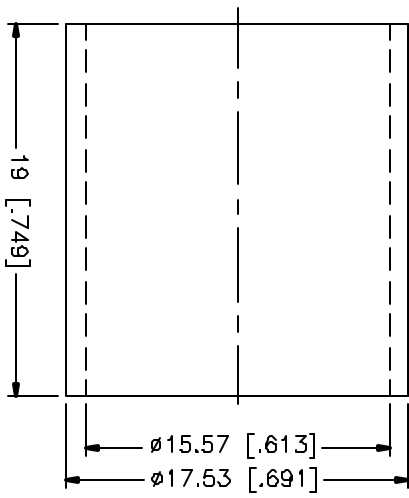
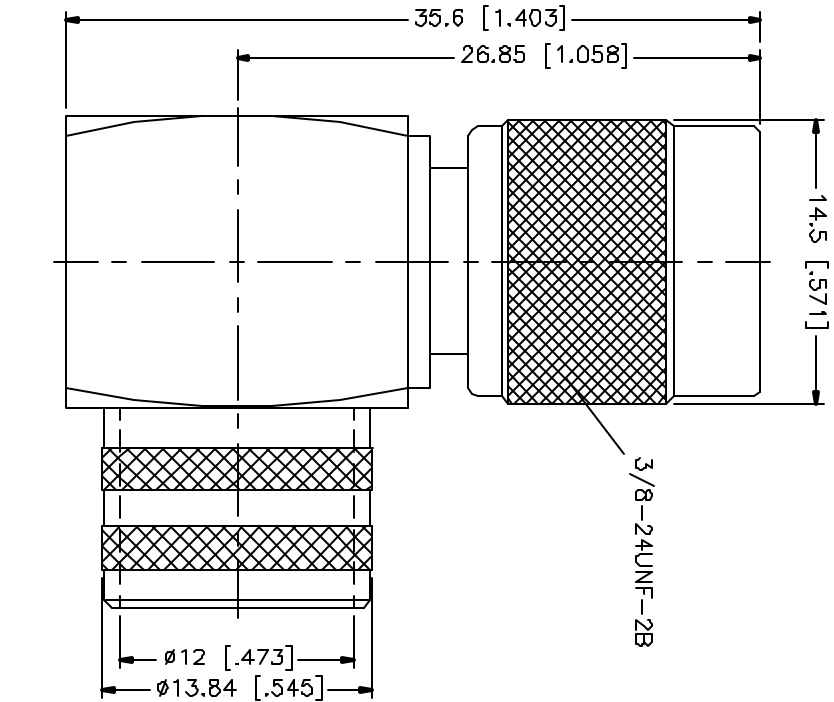


REV.	DATE	DESCRIPTION
NC	03/26/01	INITIAL RELEASE



- CRIMP NOTES.
1. CRIMPED FERRULE  
HEX CRIMP SIZE .600"
  2. CONTACT PIN TO SOLDER

DESCRIPTION	MATERIAL	FINISH	UNLESS OTHERWISE SPECIFIED DIMENSIONS ARE IN MILLIMETERS FOR CUSTOMER REFERENCE ONLY	APPROVALS	DATE	TITLE	SCALE	PART NO.	SHEET	DF		
1 BODY	BRASS	NICKEL	UNLESS OTHERWISE SPECIFIED DIMENSIONS ARE IN MILLIMETERS FOR CUSTOMER REFERENCE ONLY  UNLESS OTHERWISE SPECIFIED DIMENSIONS FOR MILLIMETERS ARE: 0.5-6 ± 0.2 6-30 ± 0.4 30-120 ± 0.8 120-315 ± 1 315-1000 ± 1.6 1000-2000 ± 2.4	DRAWN	03/26/01	<b>Comnex</b> Connector Corporation TNC R/A CRIMP PLUG (FOR LMR 600 CABLE)	A	99001	122464	1		
2 INSULATOR	TEFLON	NATURAL		CHECKED	G.R.S.							
3 CONTACT PIN	BRASS	GOLD		ISSUED								
4 FERRULE	COPPER	NICKEL										
5												
6												
7												
8												
DO NOT SCALE DRAWING												