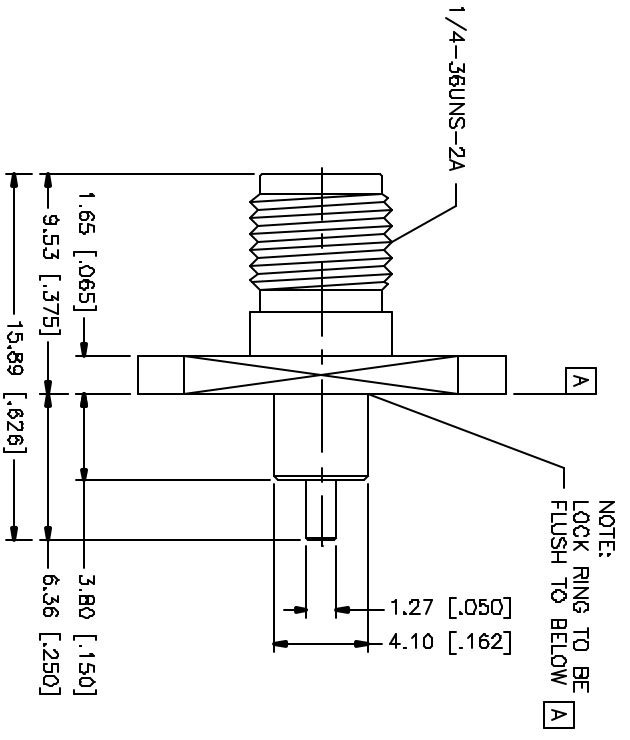
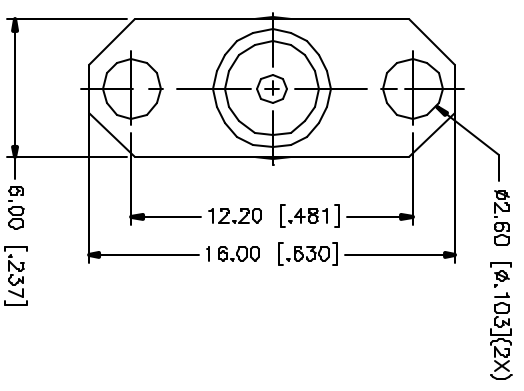


REV.	DATE	DESCRIPTION
NC	02/20/05	INITIAL RELEASE



NOTE:
LOCK RING TO BE
FLUSH TO BELOW
A



QTY	FINISH	MATERIAL	DESCRIPTION
1	GOLD	BRASS	RING
1	GOLD	BR, COPPER	CONTACT PIN
1	NATURAL	TEFLON	INSULATOR
1	GOLD	BRASS	BODY

APPROVALS	DATE
DRAWN G. R. S.	02/20/05
CHECKED	
ISSUED	
SHEET 1 OF 1	

UNLESS OTHERWISE SPECIFIED DIMENSIONS ARE IN MILLIMETERS DIMENSIONS IN INCHES ARE NEAREST AND FOR DESIGNER REFERENCE ONLY.
UNLESS OTHERWISE SPECIFIED TOLERANCES FOR MILLIMETERS ARE: A - 8mm ± 0.20mm B - 30mm ± 0.40mm C - 120mm ± 0.40mm
UNLESS OTHERWISE SPECIFIED TOLERANCES FOR INCHES ARE: .020 - .315 = ± 0.007" .315 - 1.180 = ± 0.015" 1.180 - 4.724 = ± 0.020"
DO NOT SCALE DRAWING

CDW FILE	DWG. NO.	REV.	SIZE	SCALE
C:/132/132147-32.DWG	132147-32.DWG	NC	A	NA

PART DESCRIPTION	
SMA PANEL RECEPTACLE - 2 HOLE	
EXT. TEFLON .150 [3.80] - .250 [6.36]	
PART NO. 132147-32	

Amphenol Connex