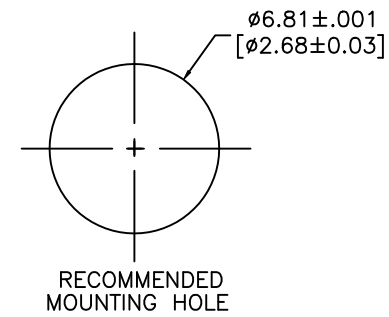
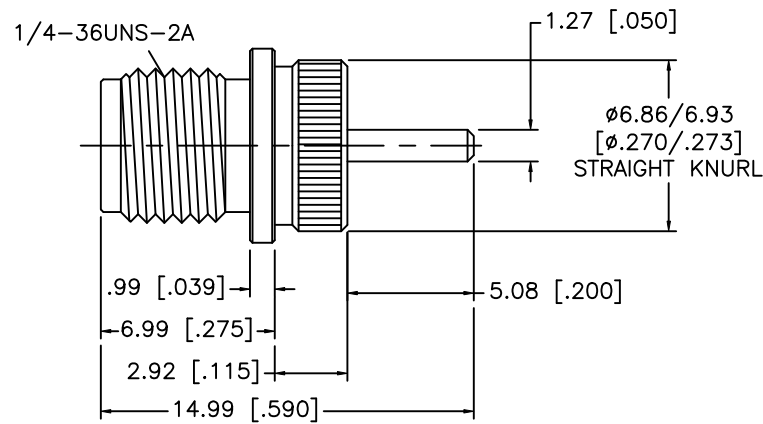


REV.	DATE	DESCRIPTION
NC	11/04/01	INITIAL RELEASE
A	03/28/08	UPDATE DRAWING FORMAT



8				<small>UNLESS OTHERWISE SPECIFIED DIMENSIONS ARE IN MILLIMETERS. DIMENSIONS IN [] ARE IN INCHES AND FOR CUSTOMER REFERENCE ONLY.</small> <small>UNLESS OTHERWISE SPECIFIED TOLERANCES FOR MILLIMETERS ARE:</small> 0.5 - 8mm ± 0.20mm 8 - 30mm ± 0.40mm 30 - 120mm ± 0.50mm <small>UNLESS OTHERWISE SPECIFIED TOLERANCES FOR INCHES ARE:</small> .020 - .315 = ± 0.007" .315 - 1.180 = ± 0.015" 1.180 - 4.724 = ± 0.020" DO NOT SCALE DRAWING	APPROVALS	DATE	<h1 style="color: blue;">Amphenol Connex</h1>		
7					DRAWN	G.R.S.		03/28/08	PART DESCRIPTION
6						CHECKED		SMA PANEL RECEPTACLE - PRESS FIT	
5	RING	BRASS	GOLD		1		ISSUED		PART NO.
4	INSULATOR	TEFLON	NATURAL		1		SHEET	132264-10	
3	CONTACT PIN	BER. COPPER	GOLD		1		1 OF 1		
2	INSULATOR	TEFLON	NATURAL		1		CAD FILE	DWG. NO.	
1	BODY	BRASS	GOLD		1		C:/132/132264-10.DWG	132264-10.DWG	
	DESCRIPTION	MATERIAL	FINISH	QTY			REV.	SIZE	SCALE
							A	A	NA