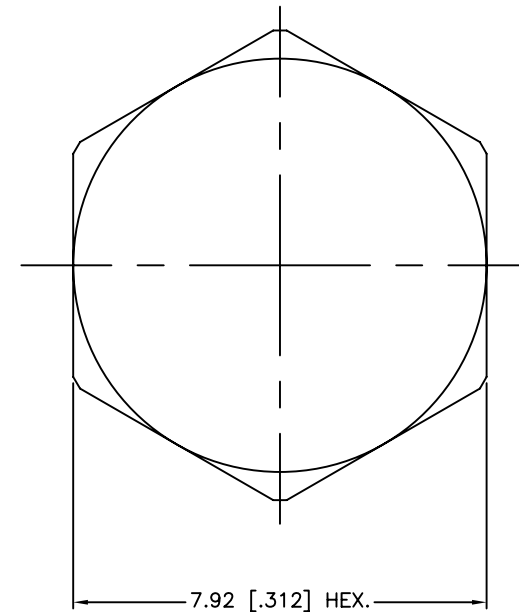
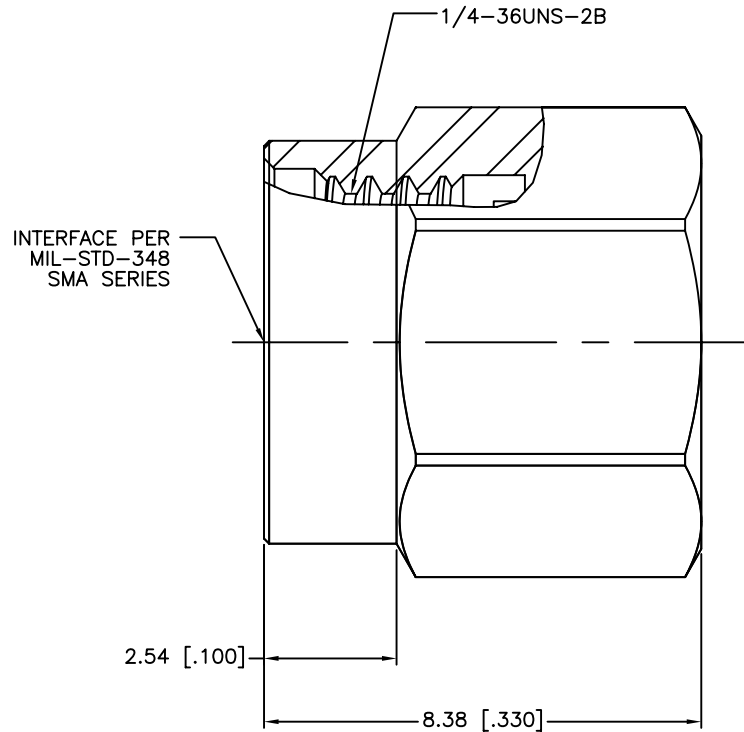
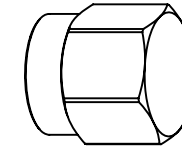


REV.	DATE	ECR NO.	DESCRIPTION
NC	09/30/11	XXXXXX	INITIAL RELEASE
A	10/06/11	2236	UPDATE THE RESISTOR'S DESCRIPTION



1. IMPEDANCE:50 OHM
2. FREQUENCY RANGE: 0-18 GHz.
3. DURABILITY:500 CYCLES MIN.

				APPROVALS	DATE	<h1 style="color: blue; margin: 0;">Amphenol Connex</h1>				
				DRAWN	M.ZHANG					10/06/11
				CHECKED			PART NO. 132360SS			
				ISSUED						
				SHEET	1 OF 1		REV. NC SIZE A SCALE NA			
				CAD FILE	C:/CONNEX/132360SS.DWG					
				UNLESS OTHERWISE SPECIFIED DIMENSIONS ARE IN MILLIMETERS. DIMENSIONS IN [] ARE IN INCHES AND FOR CUSTOMER REFERENCE ONLY.						
				UNLESS OTHERWISE SPECIFIED TOLERANCES FOR MILLIMETERS ARE:						
				0.5 - 8mm ± 0.20mm						
				8 - 30mm ± 0.40mm						
				30 - 120mm ± 0.50mm						
				UNLESS OTHERWISE SPECIFIED TOLERANCES FOR INCHES ARE:						
				.020 - .315 = ± 0.007"						
				.315 - 1.180 = ± 0.015"						
				1.180 - 4.724 = ± 0.020"						
				DO NOT SCALE DRAWING						
6	RESISTOR	100 OHM, 0.1 WATT, 1%		2						
5	CONTACT PIN	BRASS	GOLD	1						
4	INSULATOR	PTFE	NATURAL	1						
3	GASKET	SILICON RUBBER	RED	1						
2	BODY	STAINLESS STEEL	PASSIVATED	1						
1	SHELL	STAINLESS STEEL	PASSIVATED	1						
	DESCRIPTION	MATERIAL	FINISH	QTY						