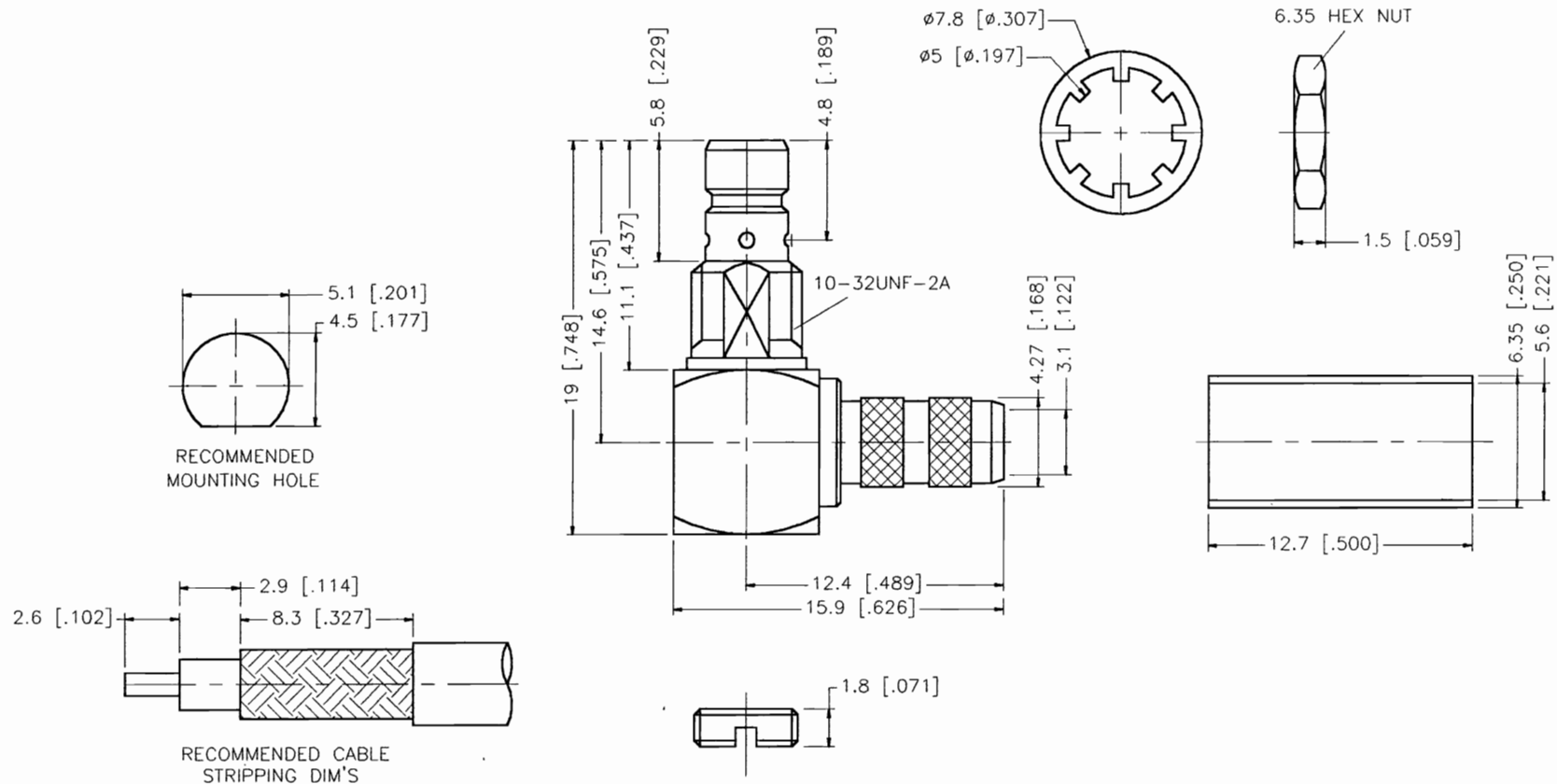



REV.	DATE	DESCRIPTION
NC	04/29/99	INITIAL RELEASE



DESCRIPTION	MATERIAL	FINISH	UNLESS OTHERWISE SPECIFIED DIMENSIONS ARE IN MILLIMETERS	APPROVALS	DATE	 <b>Connex</b> Connector Corporation			
				DRAWN					
1 BODY/BARREL	BRASS	GOLD	UNLESS OTHERWISE SPECIFIED DIMENSIONS IN [ ] ARE IN INCHES FOR CUSTOMER REFERENCE ONLY  UNLESS OTHERWISE SPECIFIED TOLERANCES FOR MILLIMETERS ARE: 0.5-6 = ± 0.2 6-30 = ± 0.4 30-120 = ± 0.6 120-315 = ± 1 315-1000 = ± 1.6 1000-2000 = ± 2.4	G.R.S.	04/29/99	TITLE SMB R/A BULKHEAD CRIMP JACK (FOR RG-142A/u, 223/u, 400/u CABLE)			
2 INSULATOR	TEFLON	NATURAL		CHECKED		SIZE A	FSCM NO. 99001	DWG. NO. 142239.DWG	REV. NC
3 CONTACT PIN	BRASS	GOLD		ISSUED		SCALE NA	PART NO. 142239	SHEET 1 OF 1	
4 FERRULE	COPPER	GOLD							
5									
6									
7									
8				DO NOT SCALE DRAWING					