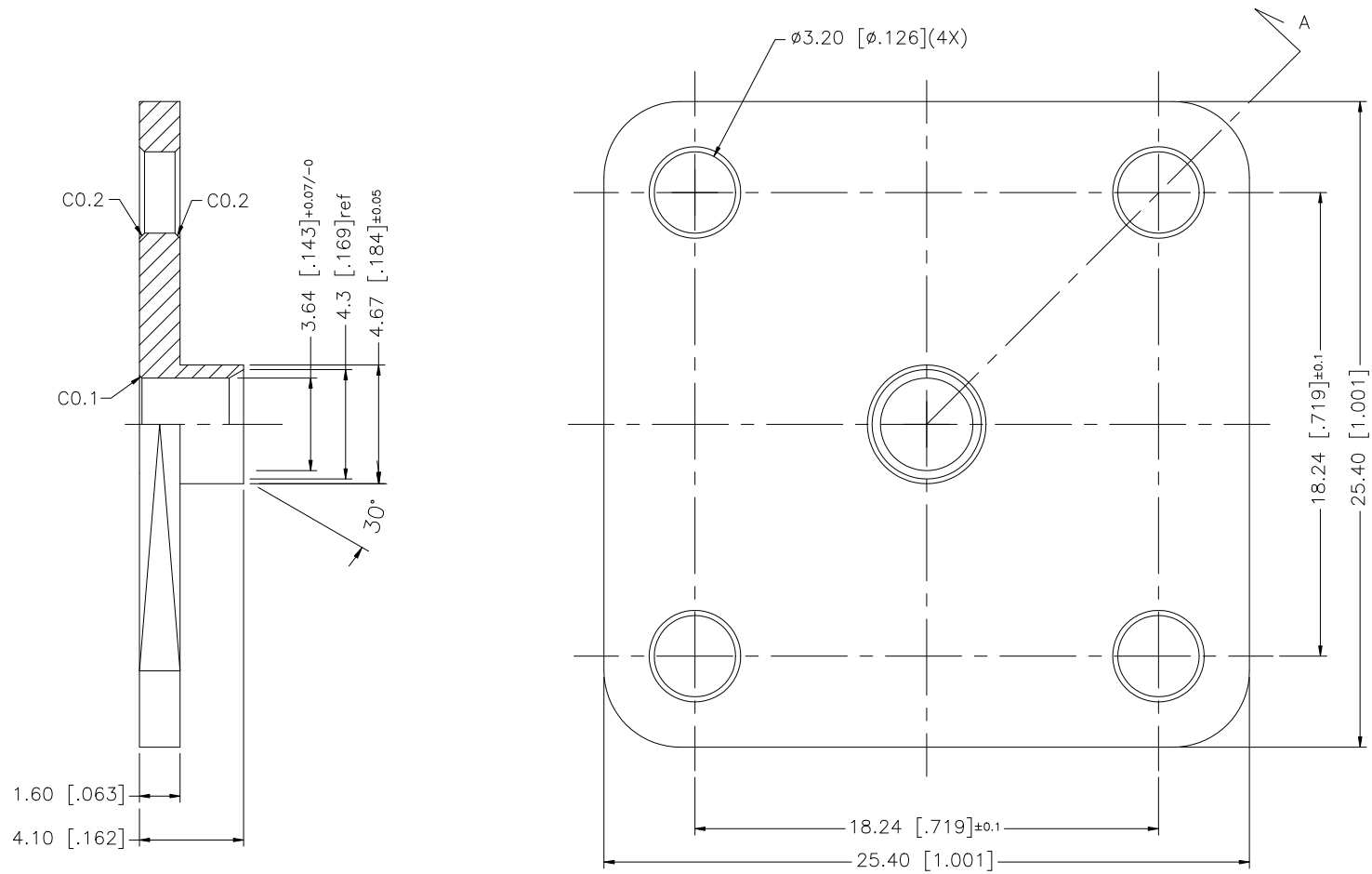


REV.	DATE	DESCRIPTION
NC	08/21/07	INITIAL RELEASE



NOTE: GOLD PL. 3 MIN. THICK OVER NICKEL PL. 100 MIN. THICK OVER COPPER STRIKE.

REV.	DATE	DESCRIPTION
NC	08/21/07	INITIAL RELEASE
8		
7		
6		
5		
4		
3		
2		
1	BODY	BRASS
	FINISH	GOLD
	QTY	1
	DESCRIPTION	MATERIAL
		FINISH
		QTY
UNLESS OTHERWISE SPECIFIED DIMENSIONS ARE IN MILLIMETERS. DIMENSIONS IN [] ARE IN INCHES AND FOR CUSTOMER REFERENCE ONLY.		
UNLESS OTHERWISE SPECIFIED TOLERANCES FOR MILLIMETERS ARE: 0.5 - 8mm ± 0.20mm 8 - 30mm ± 0.40mm 30 - 120mm ± 0.50mm		
UNLESS OTHERWISE SPECIFIED TOLERANCES FOR INCHES ARE: .020 - .315 = ± 0.007" .315 - 1.180 = ± 0.015" 1.180 - 4.724 = ± 0.020"		
DO NOT SCALE DRAWING		
APPROVALS		DATE
DRAWN G.R.S.		08/21/07
CHECKED		
ISSUED		
SHEET 1 OF 1		
CAD FILE		C:/142/142295-10.DWG
PART DESCRIPTION		FOUR (4) HOLE PANEL TERMINAL ONE INCH FLANGE - .141 SEMI RIGID CABLE
PART NO.		142295-10
DWG. NO.	142295-10.DWG	REV. NC
SIZE	A	SCALE NA

Amphenol Connex