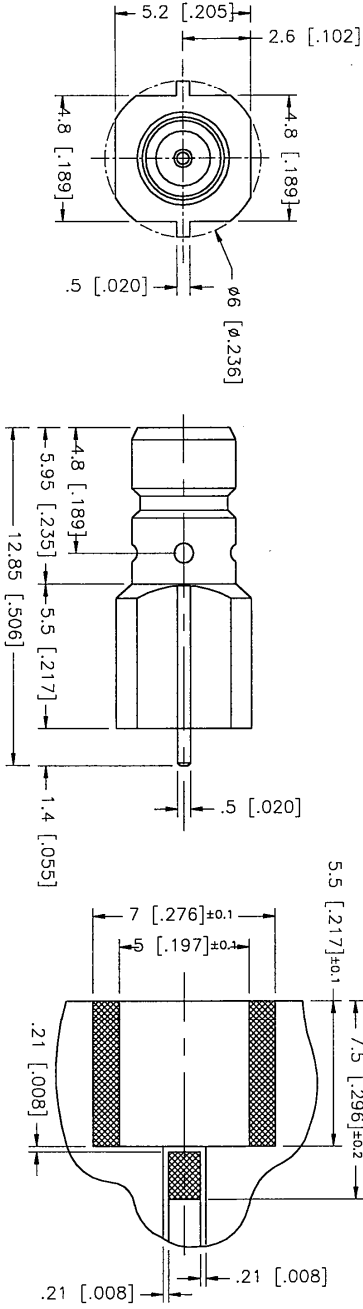



REV.	DATE	DESCRIPTION
NC	09/26/99	INITIAL RELEASE



DESCRIPTION	MATERIAL	FINISH	UNLESS OTHERWISE SPECIFIED DIMENSIONS ARE IN MILLIMETERS DIMENSIONS IN [] ARE IN INCHES FOR CUSTOMER REFERENCE ONLY	APPROVALS	DATE	TITLE	SCALE	PART NO.	DWG. NO.	SHEET	REV.	
1 BODY	BRASS	GOLD		DRAWN	09/26/00	 SMB SMT JACK FOR EDGE CARD	A	99001	142297.DWG	1	NC	
2 INSULATOR	TEFLON	NATURAL		CHECKED			SIZE					
3 CONTACT PIN	BER. COPPER	GOLD	UNLESS OTHERWISE SPECIFIED DIMENSIONS FOR MILLIMETERS ARE:	ISSUED			FSQ# NO.					
4			0.5-6 = ± 0.2									
5			6-30 = ± 0.4									
6			30-120 = ± 0.6									
7			120-315 = ± 1									
8			315-1000 = ± 1.6									
			1000-2000 = ± 2.4									
			DO NOT SCALE DRAWING				NA	142297		1	OF 1	