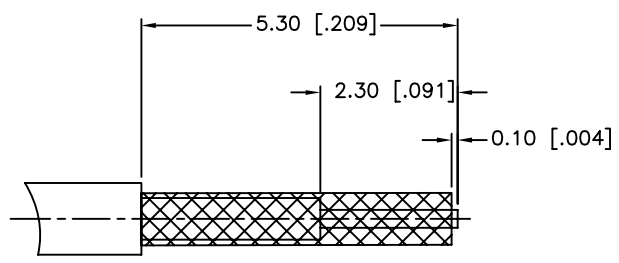
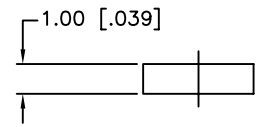
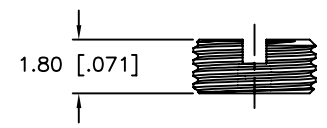
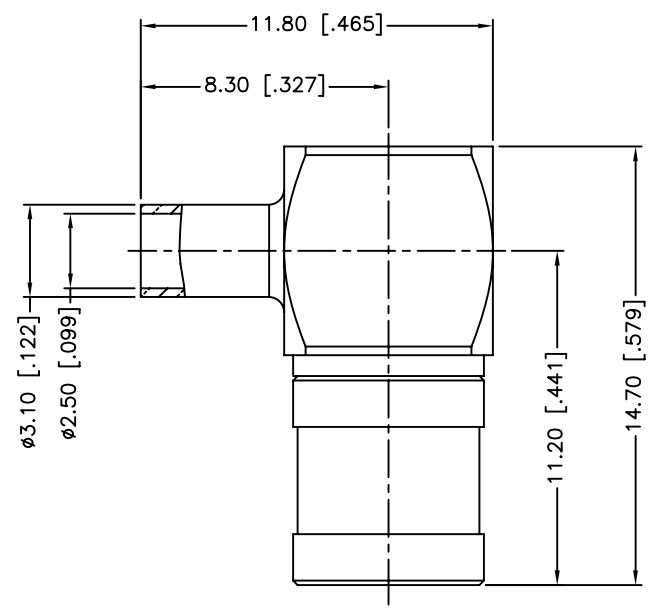
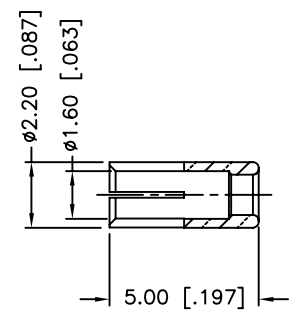


REV.	DATE	ECR NO.	DESCRIPTION
NC	07/02/09	XXXXXX	INITIAL RELEASE



RECOMMENDED
CABLE STRIPPING DIM'S



1. CRIMPED FERRULE
HEX CRIMP SIZE .105"

8	COVER	BRASS	NICKEL	1
7	INSULATOR	PE	NATURAL	1
6	INNER FERRULE	BRASS	NICKEL	1
5	HOUSING	BRASS	NICKEL	1
4	CONTACT PIN	BER. COPPER	GOLD	1
3	INSULATOR	PTFE	NATURAL	1
2	BODY	BRASS	NICKEL	1
1	SHELL	BRASS	NICKEL	1
	DESCRIPTION	MATERIAL	FINISH	QTY

UNLESS OTHERWISE SPECIFIED DIMENSIONS ARE IN MILLIMETERS. DIMENSIONS IN [] ARE IN INCHES AND FOR CUSTOMER REFERENCE ONLY.

UNLESS OTHERWISE SPECIFIED TOLERANCES FOR MILLIMETERS ARE:
0.5 - 8mm ± 0.20mm
8 - 30mm ± 0.40mm
30 - 120mm ± 0.50mm

UNLESS OTHERWISE SPECIFIED TOLERANCES FOR INCHES ARE:
.020 - .315 ± 0.007"
.315 - 1.180 ± 0.015"
1.180 - 4.724 ± 0.020"

DO NOT SCALE DRAWING

APPROVALS	DATE
DRAWN M.ZHANG	07/02/09
CHECKED	
ISSUED	
SHEET 1 OF 1	
CAD FILE	C:/CONNEX/142351.DWG

Amphenol Connex

PART DESCRIPTION
**SMB R/A PLUG
(FOR 1.37 CABLE)**

PART NO.
142351

DWG. NO. 142351.DWG	REV. NC	SIZE A	SCALE NA
---------------------	---------	--------	----------