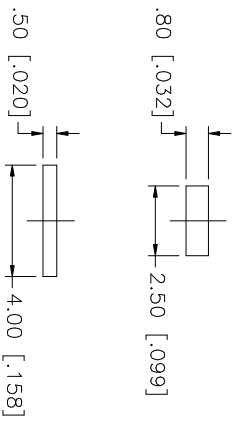
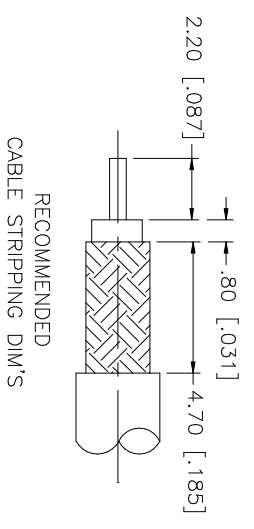
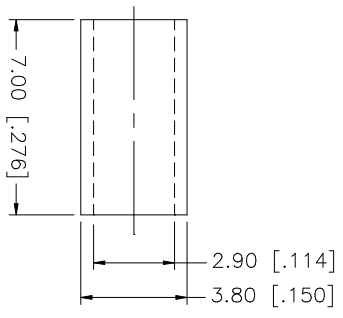
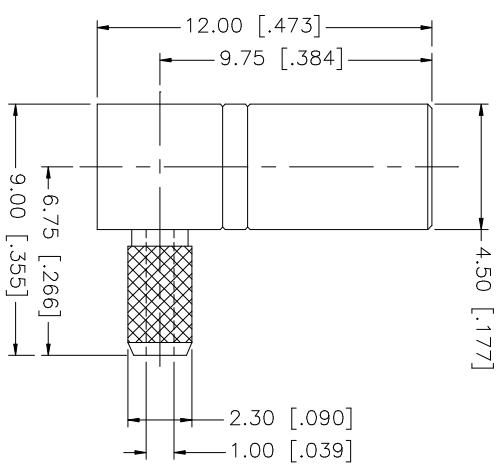


REV.	DATE	DESCRIPTION
NC	07/31/03	INITIAL RELEASE



- NOTES:
1. CRIMPED FERRULE
HEX CRIMP SIZE .128"
 2. CRIMPED CONTACT PIN TO SOLDER

QTY	FINISH	MATERIAL	DESCRIPTION
1	GOLD	COPPER	FERRULE
1	GOLD	BRASS	COVER
1	NATURAL	TEFLON	INSULATOR
1	NATURAL	TEFLON	INSULATOR
1	GOLD	BER, COPPER	CONTACT PIN
1	GOLD	BRASS	BODY

APPROVALS	DATE
DRAWN G.R.S.	07/31/03
CHECKED	
ISSUED	

DO NOT SCALE DRAWING	CAD FILE	DWG. NO.	REV.	SIZE	SCALE
UNLESS OTHERWISE SPECIFIED DIMENSIONS ARE IN MILLIMETERS. DIMENSIONS IN [] ARE IN INCHES AND FOR CUSTOMER REFERENCE ONLY. TOLERANCES FOR MILLIMETERS ARE: 0.5 - 8mm ± 0.20mm 8 - 30mm ± 0.40mm 30 - 120mm ± 0.50mm UNLESS OTHERWISE SPECIFIED TOLERANCES FOR INCHES ARE: .020 - .315 = ± 0.007" .315 - 1.180 = ± 0.015" 1.180 - 4.724 = ± 0.020"	C:/143/143106.DWG	143106.DWG	NC	A	NA

PART DESCRIPTION	PART NO.
SSMB R/A CRIMP PLUG (FOR RG-178B/U, 196A/U CABLE)	143106

SHEET	
1	OF 1