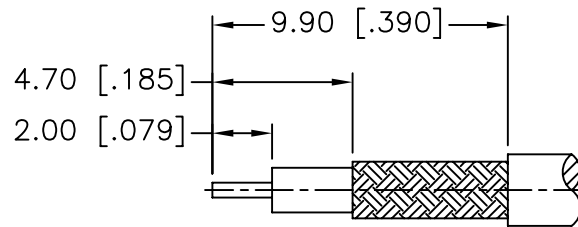
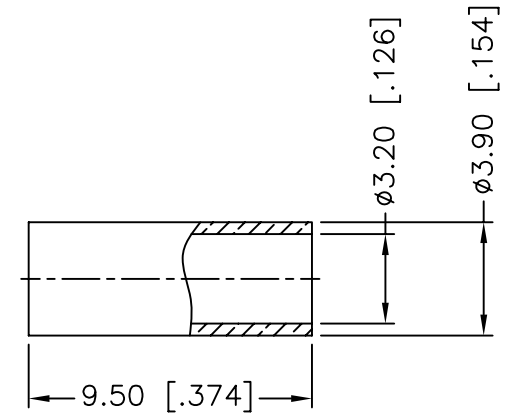
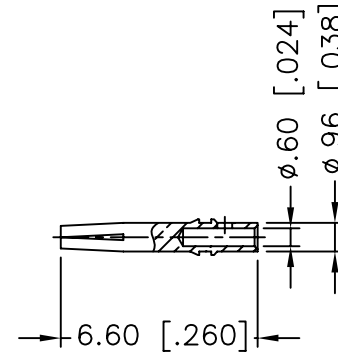
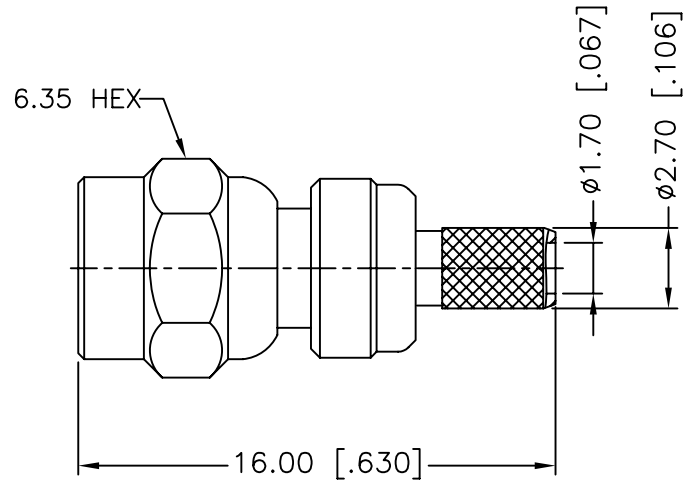
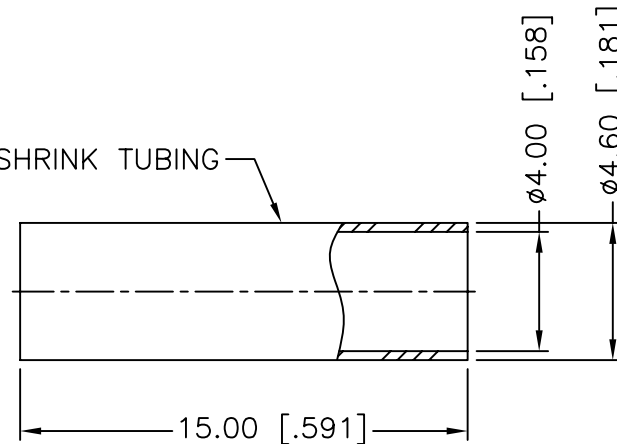


REV.	DATE	ECR NO.	DESCRIPTION
NC	08/23/10	XXXXXX	INITIAL RELEASE
A	10/07/10	2107	CHANGE THE CABLE TO RG179,187/U



RECOMMENDED
CABLE STRIPPING DIM'S

HEAT SHRINK TUBING



- NOTES:
1. CRIMPED FERRULE
HEX CRIMP SIZE .128"
 2. CONTACT PIN TO SOLDER

DESCRIPTION	MATERIAL	FINISH	QTY	
8	HEAT SHRINK TUBING	BLACK	1	
7	FERRULE	BRASS	GOLD	1
6	CONTACT PIN	BERYLLIUM COPPER	GOLD	1
5	BARREL	BRASS	GOLD	1
4	INSULATOR	PTFE	NATURAL	1
3	INSULATOR	PTFE	NATURAL	1
2	BODY	BRASS	GOLD	1
1	SHELL	BRASS	GOLD	1

UNLESS OTHERWISE SPECIFIED DIMENSIONS ARE IN MILLIMETERS. DIMENSIONS IN [] ARE IN INCHES AND FOR CUSTOMER REFERENCE ONLY.

UNLESS OTHERWISE SPECIFIED TOLERANCES FOR MILLIMETERS ARE:
0.5 - 8mm ± 0.20mm
8 - 30mm ± 0.40mm
30 - 120mm ± 0.50mm

UNLESS OTHERWISE SPECIFIED TOLERANCES FOR INCHES ARE:
.020 - .315 = ± 0.007"
.315 - 1.180 = ± 0.015"
1.180 - 4.724 = ± 0.020"

DO NOT SCALE DRAWING

APPROVALS	DATE
DRAWN M.ZHANG	10/07/10
CHECKED	
ISSUED	
SHEET 1 OF 1	
CAD FILE C:/CONNEX/152101-75.DWG	

Amphenol Connex

PART DESCRIPTION			
MINI 75 OHM SMC CRIMP PLUG (FOR RG-179/U, 187/U CABLE)			
PART NO.			
152101-75			
DWG. NO.	REV.	SIZE	SCALE
152101-75.DWG	A	A	NA