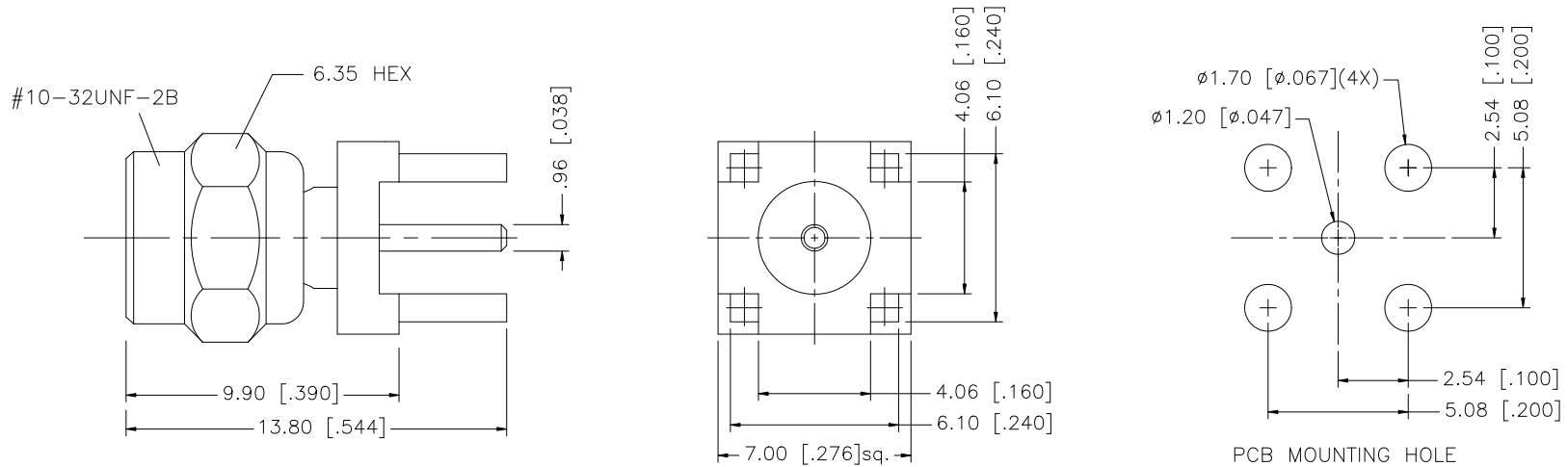


REV.	DATE	ECR NO.	DESCRIPTION
NC	03/23/09	-	INITIAL RELEASE



8				
7				
6				
5				
4	CONTACT PIN	BER. COPPER	GOLD	1
3	INSULATOR	PTFE	NATURAL	1
2	SHELL	BRASS	GOLD	1
1	BODY	BRASS	GOLD	1
	DESCRIPTION	MATERIAL	FINISH	QTY

UNLESS OTHERWISE SPECIFIED DIMENSIONS ARE IN MILLIMETERS. DIMENSIONS IN [] ARE IN INCHES AND FOR CUSTOMER REFERENCE ONLY.

UNLESS OTHERWISE SPECIFIED TOLERANCES FOR MILLIMETERS ARE:
0.5 - 8mm \pm 0.20mm
8 - 30mm \pm 0.40mm
30 - 120mm \pm 0.50mm

UNLESS OTHERWISE SPECIFIED TOLERANCES FOR INCHES ARE:
.020 - .315 \pm 0.007"
.315 - 1.180 \pm 0.015"
1.180 - 4.724 \pm 0.020"

DO NOT SCALE DRAWING

APPROVALS	DATE
DRAWN GRS	03/23/09
CHECKED	
ISSUED	
SHEET 1 OF 1	
CAD FILE	C:/152/152117.DWG

Amphenol Connex				
PART DESCRIPTION				
SMC P.C. MOUNT PLUG				
PART NO.				
152117				
DWG. NO.			REV.	SCALE
152117.DWG			NC	A NA