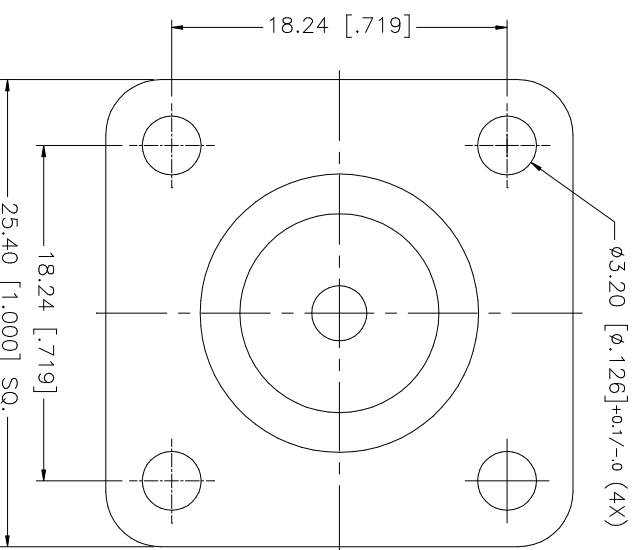
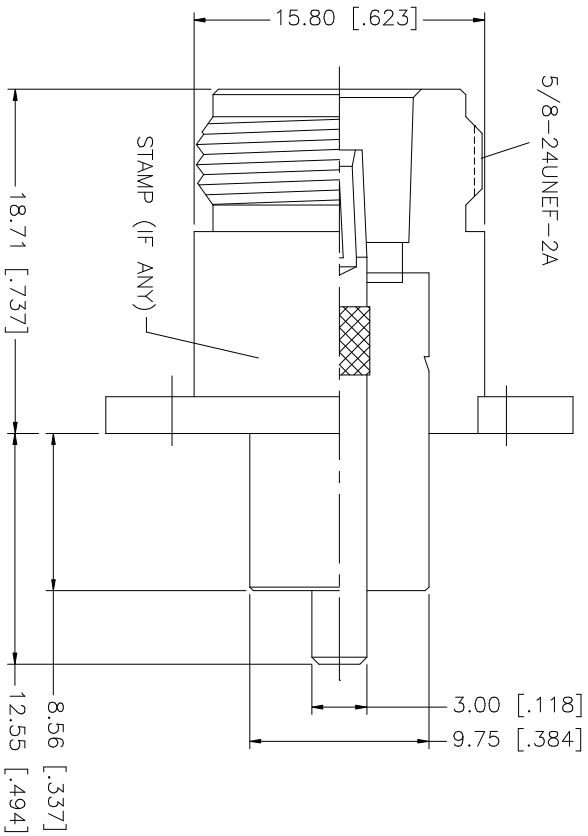


REV.	DATE	DESCRIPTION
A	02/12/04	MODIFY BODY LENGTH



FORM 123-010

QTY	FINISH	MATERIAL	DESCRIPTION
1	NATURAL	BER. COPPER	CONTACT PIN
1	NEKOTE	TEFLON	INSULATOR BODY
1		BRASS	

UNLESS OTHERWISE SPECIFIED DIMENSIONS ARE IN MILLIMETERS. DIMENSIONS IN [] ARE IN INCHES AND FOR CUSTOMER REFERENCE ONLY.	UNLESS OTHERWISE SPECIFIED TOLERANCES FOR MILLIMETERS ARE:	UNLESS OTHERWISE SPECIFIED TOLERANCES FOR INCHES ARE:
0.5 - 8mm ± 0.20mm	8 - 30mm ± 0.40mm	30 - 120mm ± 0.50mm
UNLESS OTHERWISE SPECIFIED TOLERANCES FOR INCHES ARE:		
.020 - .315 = ± 0.007"		
.315 - 1.180 = ± 0.015"		
1.180 - 4.724 = ± 0.020"		

APPROVALS	DATE
DRAWN G.R.S.	02/12/04
CHECKED	
ISSUED	
SHEET 1 OF 1	

PART DESCRIPTION	PART NO.	DWG. NO.	REV.	SIZE	SCALE
Amphenol Connex N PANEL RECEPTACLE JACK (EXTENDED FLANGE .337-.494)	1722228-19	1722228-19.DWG	A	A	NA