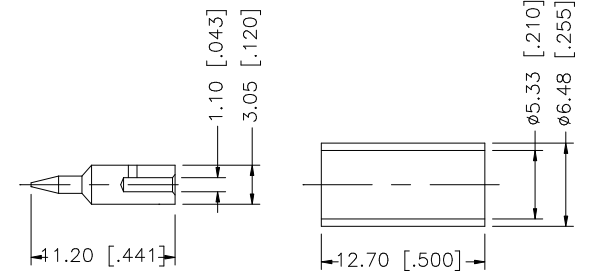
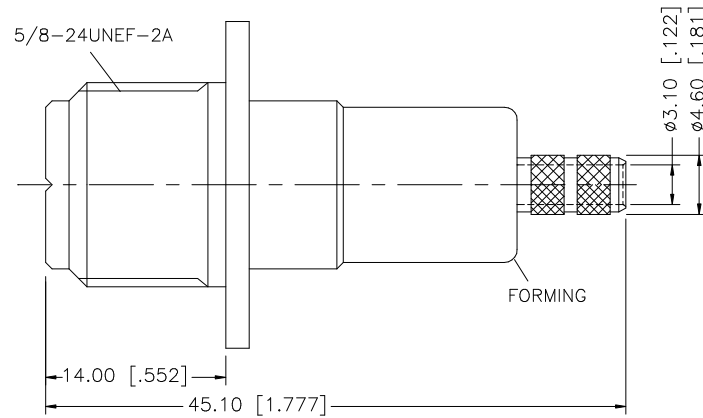
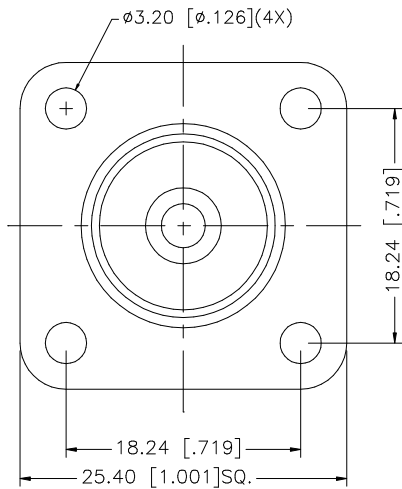
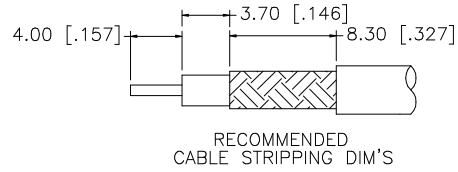


REV.	DATE	DESCRIPTION
A	01/04/00	MODIFY MATING FACE AND CONTACT PIN
B	02/17/00	REVISE CONTACT PIN I.D.
C	09/25/06	UPDATE DRAWING FORMAT



8				
7				
6	FERRULE	COPPER	NICKEL	1
5	CONTACT PIN	BRASS	GOLD	1
4	BARREL	BRASS	NICKEL	1
3	CONTACT PIN	BRASS	GOLD	1
2	INSULATOR	TEFLON	NATURAL	1
1	BODY	DIE CAST	NICKEL	1
	DESCRIPTION	MATERIAL	FINISH	QTY

UNLESS OTHERWISE SPECIFIED DIMENSIONS ARE IN MILLIMETERS. DIMENSIONS IN [] ARE IN INCHES AND FOR CUSTOMER REFERENCE ONLY.

UNLESS OTHERWISE SPECIFIED TOLERANCES FOR MILLIMETERS ARE:
0.5 - 8mm ± 0.20mm
8 - 30mm ± 0.40mm
30 - 120mm ± 0.50mm

UNLESS OTHERWISE SPECIFIED TOLERANCES FOR INCHES ARE:
.020 - .315 = ± 0.007"
.315 - 1.180 = ± 0.015"
1.180 - 4.724 = ± 0.020"

DO NOT SCALE DRAWING

APPROVALS	DATE
DRAWN G.R.S.	09/25/06
CHECKED	
ISSUED	
SHEET 1 OF 1	
CAD FILE	C:/182/182128.DWG

Amphenol Connex

PART DESCRIPTION		UHF PANEL CRIMP JACK (FOR RG-58/U CABLE)		
PART NO.		182128		
DWG. NO.	182128.DWG	REV.	C	SCALE NA