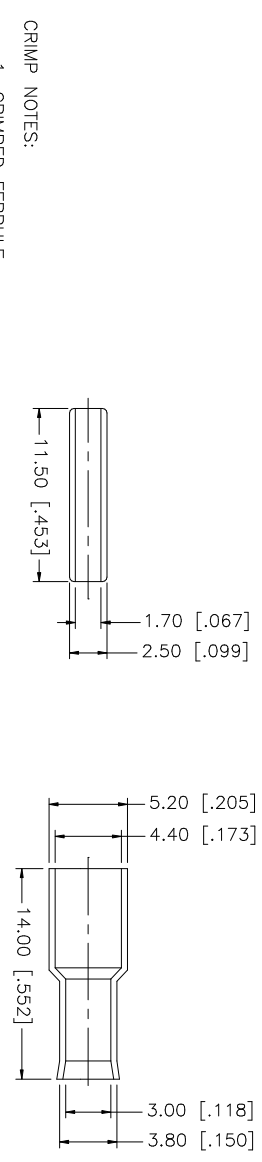
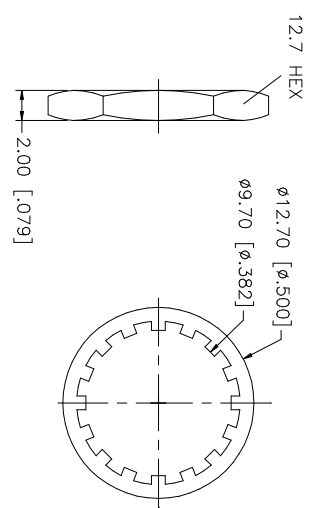
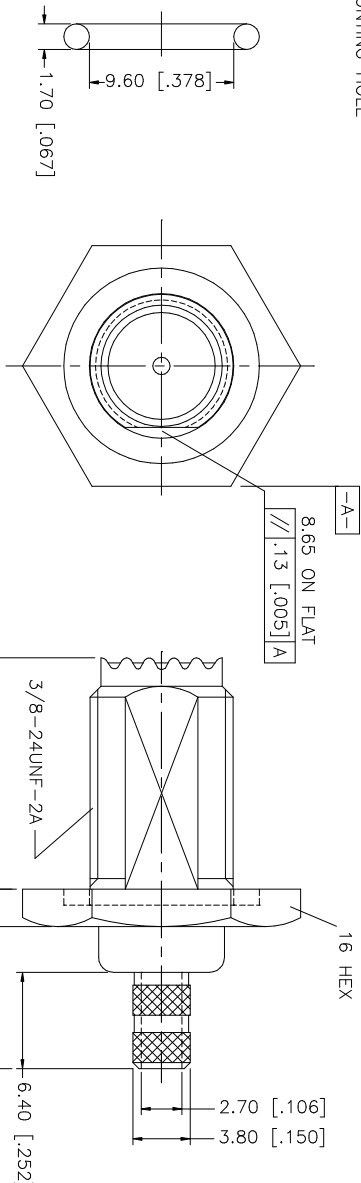
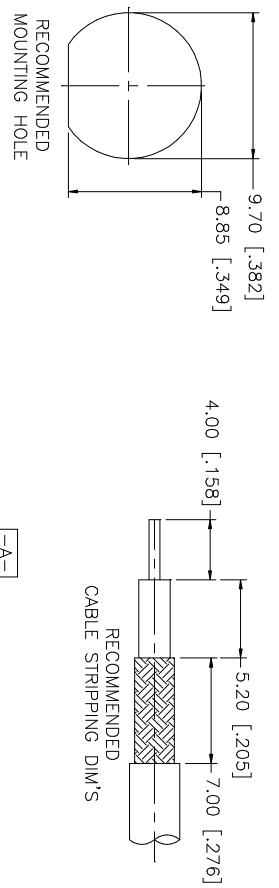


REV.	DATE	DESCRIPTION
A	03/12/03	UPDATE DRAWING FORMAT



- CRIMP NOTES:
1. CRIMPED FERRULE HEX CRIMP SIZE .178"
 2. CRIMPED CONTACT PIN HEX CRIMP SIZE .068"
 2. MAX PANEL THICKNESS= 2.7mm

QTY	FINISH	MATERIAL	DESCRIPTION
1	NICKEL	COPPER	FERRULE
1	NATURAL	DEL RIN	SLEEVE
1	GOLD	PHOS. BRONZE	CONTACT PIN
1	NICKEL	BRASS	HEX NUT
1	NICKEL	BRASS	LOCK WASHER
1	GOLD	SILICONE	GASKET
1	NICKEL	BRASS	BARREL
1	NATURAL	TEFLON	INSULATOR
1	NICKEL	BRASS	HOUSING/BODY

APPROVALS	DATE
G.R.S.	03/12/03

CAD FILE	DWG. NO.	REV.	SIZE	SCALE
C:/182/182317-10.DWG	182317-10	A	A	NA

Amphenol Connex

MINI-UHF BULKHEAD CRIMP JACK
W/FLANGE O-RING
(FOR 174/U, 188/U, 316/U CABLE)

PART NO. 182317-10