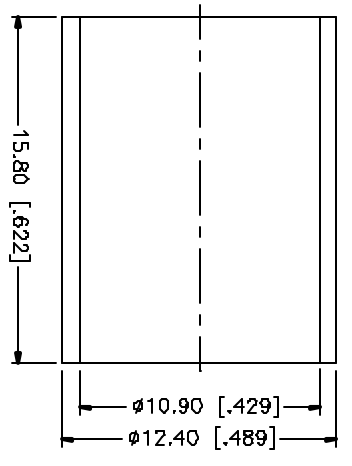
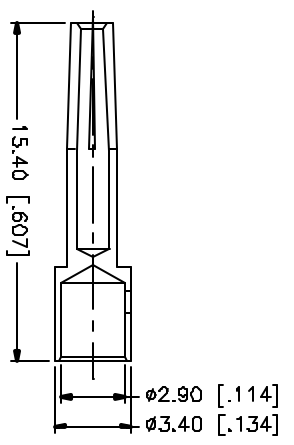
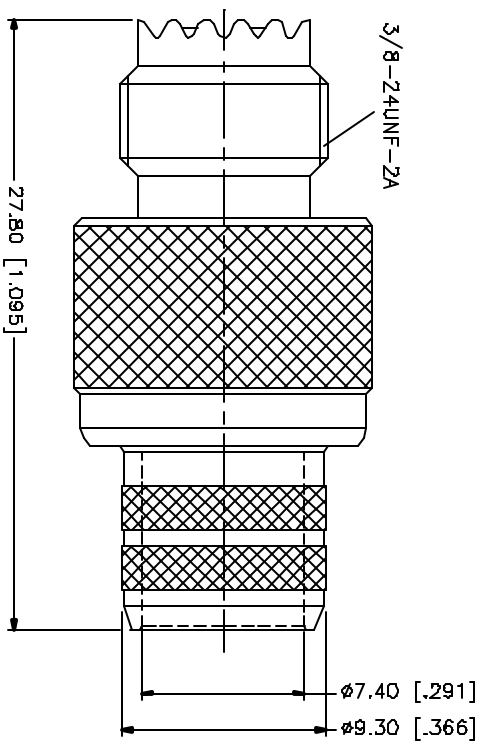
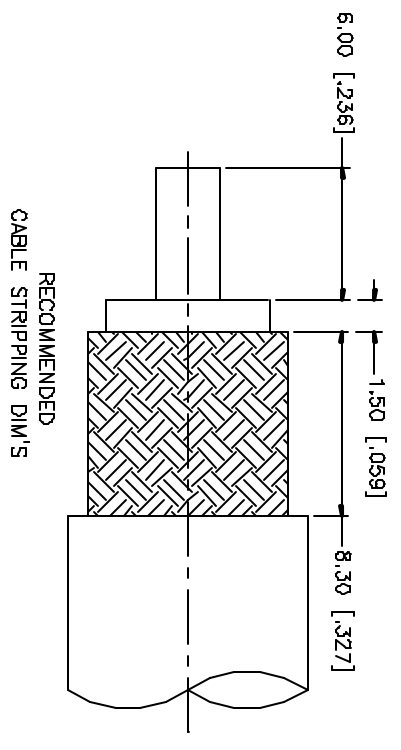


REV.	DATE	DESCRIPTION
NC	01/24/05	INITIAL RELEASE



NOTE:
 1. CRIMPED FERRULE
 HEX CRIMP SIZE .429"
 2. CONTACT PIN TO SOLDER.

REV.	DATE	DESCRIPTION
B		
7		
6		
5		
4		
3		
2		
1		

DESCRIPTION	MATERIAL	FINISH	QTY
FERRULE	COPPER	NICKEL	1
CONTACT PIN	PHOS. BRONZE	GOLD	1
INSULATOR BODY	TEFLON BRASS	NATURAL NICKEL	1

UNLESS OTHERWISE SPECIFIED MATERIALS ARE TO BE USED AND FOR DIMENSIONS REFER TO THE FOLLOWING STANDARDS:	UNLESS OTHERWISE SPECIFIED DIMENSIONS FOR MATERIAL ARE:	UNLESS OTHERWISE SPECIFIED DIMENSIONS FOR FINISH ARE:
	A - Bimn ± 0.20mm	.020 - .315 = ± 0.007"
	B - 30mm ± 0.40mm	.315 - 1.180 = ± 0.015"
	30 - 120mm ± 0.50mm	1.180 - 4.724 = ± 0.020"

APPROVALS	DATE
DRAWN G.R.S.	01/24/05

CAD FILE	DWG. NO.	REV.	SIZE	SCALE
C:/182/182338.DWG	182338.DWG	NC	A	NA

PART DESCRIPTION	PART NO.
MINI-UHF CRIMP PLUG (FOR RG-8U CABLE)	182338

Amphenol Connex