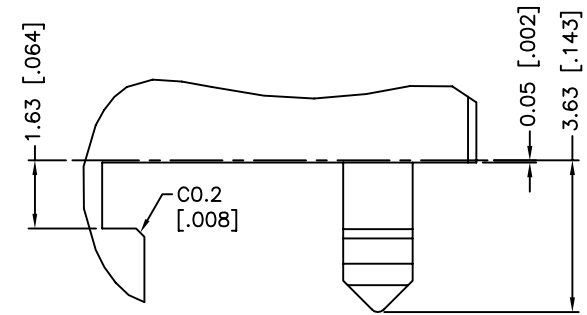
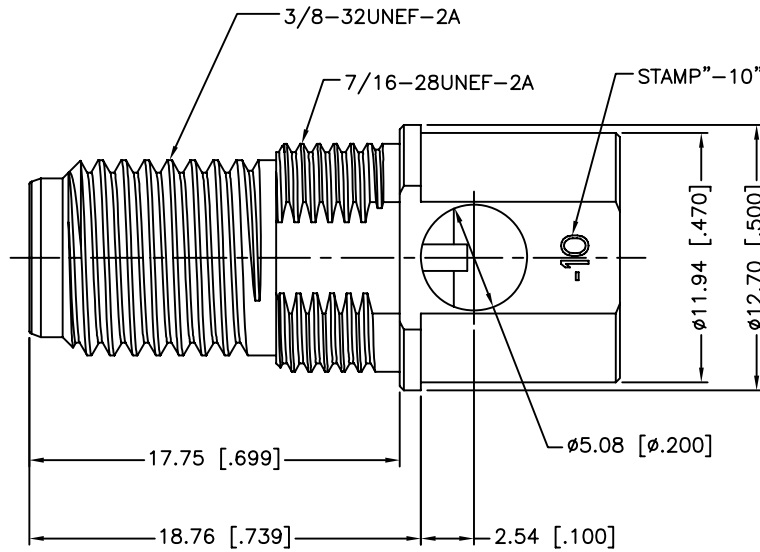
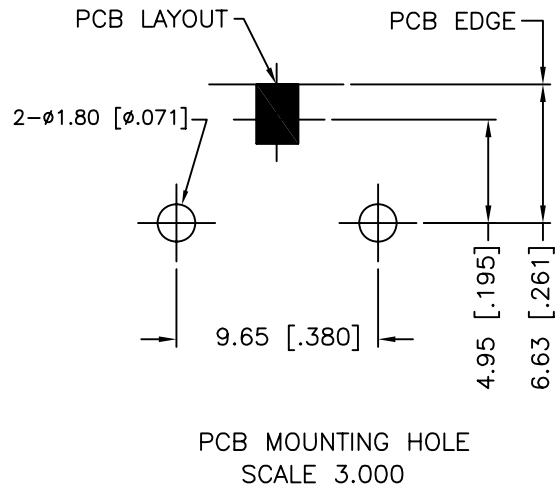
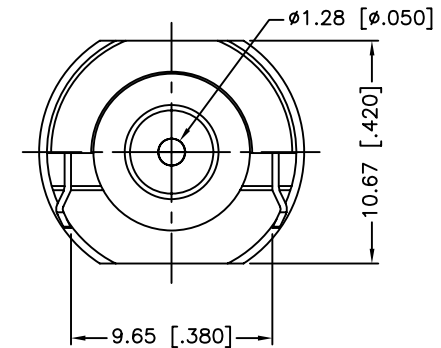
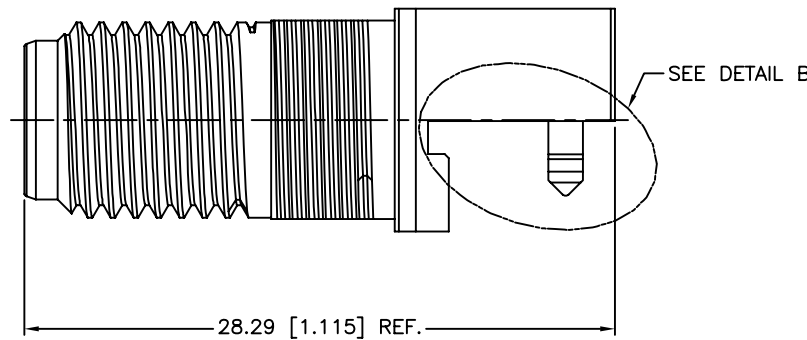
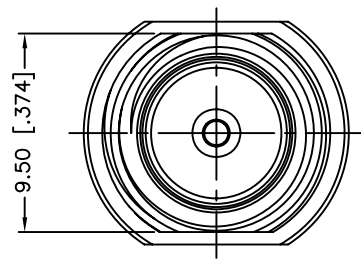


REV.	DATE	ECR NO.	DESCRIPTION
NC	05/19/09	XXXXXX	INITIAL RELEASE



DETAIL B  
SCALE 8.000



CENTER CONTACT TO ACCEPT  $\phi 0.022$  TO  $\phi 0.041$  PIN [ $\phi 0.56$  TO  $\phi 1.04$ ]

5	LEG	STAINLESS STEEL	PASSIVATED	1
4	INSULATOR	PTFE	NATURAL	1
3	CONTACT PIN	BER. COPPER	GOLD	1
2	INSULATOR	PTFE	NATURAL	1
1	HOUSING	BRASS	NICKEL	1
	DESCRIPTION	MATERIAL	FINISH	QTY

UNLESS OTHERWISE SPECIFIED DIMENSIONS ARE IN MILLIMETERS. DIMENSIONS IN [ ] ARE IN INCHES AND FOR CUSTOMER REFERENCE ONLY.

UNLESS OTHERWISE SPECIFIED TOLERANCES FOR MILLIMETERS ARE:  
0.5 - 8mm  $\pm 0.20$ mm  
8 - 30mm  $\pm 0.40$ mm  
30 - 120mm  $\pm 0.50$ mm

UNLESS OTHERWISE SPECIFIED TOLERANCES FOR INCHES ARE:  
.020 - .315 =  $\pm 0.007$ "  
.315 - 1.180 =  $\pm 0.015$ "  
1.180 - 4.724 =  $\pm 0.020$ "

DO NOT SCALE DRAWING

APPROVALS	DATE
DRAWN M.ZHANG	05/19/09
CHECKED	
ISSUED	
SHEET 1 OF 1	
CAD FILE C:/CONNEX/222199-10.DWG	

<b>Amphenol Connex</b>			
PART DESCRIPTION <b>F END LAUNCH RECEPTACLE JACK</b>			
PART NO. <b>222199-10</b>			
DWG. NO.	222199-10.DWG	REV.	NC
SIZE	A	SCALE	NA