

NOTES:

1. MATERIALS AND FINISHES:

- BODY - BeCu, GOLD PLATING
- CONTACT - BRASS, GOLD PLATING
- INSULATOR - PTFE, NATURAL

2. ELECTRICAL:

- A. IMPEDANCE: 50 OHM
- B. FREQUENCY RANGE: DC-6 GHz
- C. DIELECTRIC WITHSTANDING VOLTAGE: 1000 VRMS, MIN.

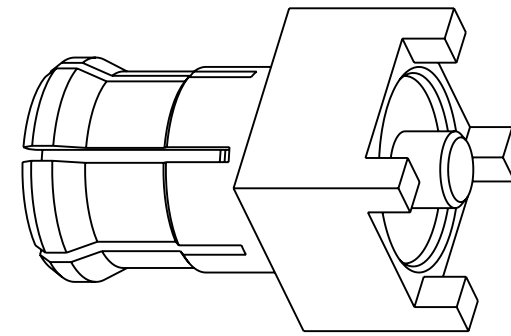
3. MECHANICAL:

- A. DURABILITY: 500 CYCLES MIN.
- B. TEMPERATURE RANGE: -55°C TO +155°C

THIRD ANGLE PROJ.

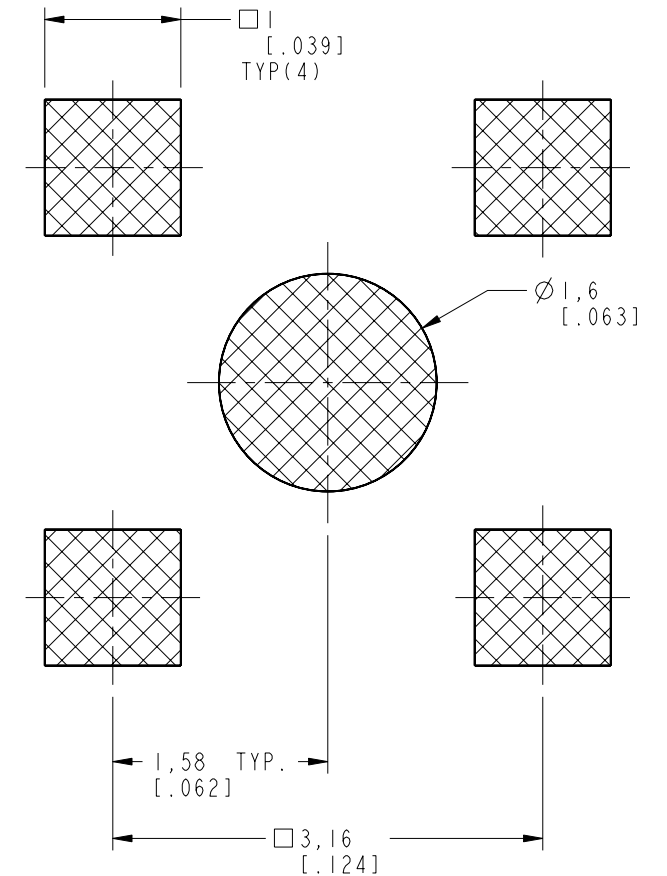
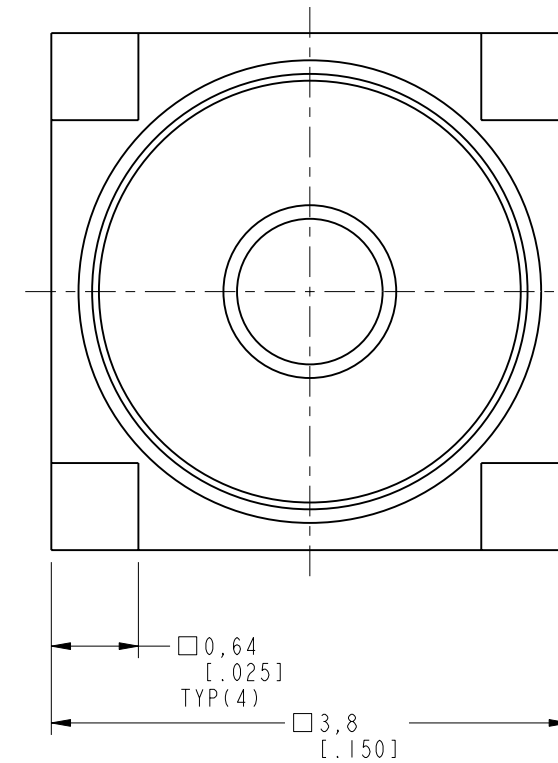
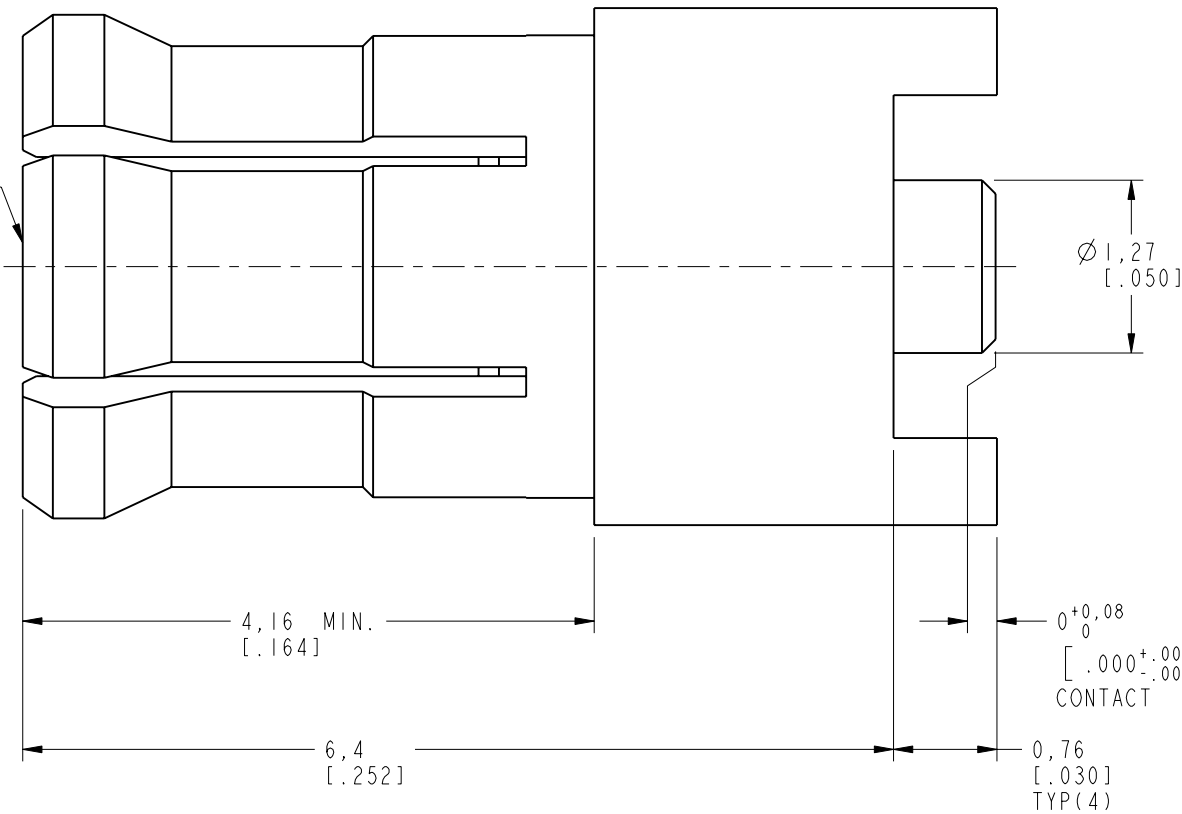
REVISIONS

| REV | DESCRIPTION                                | DATE      | ECN   | APPR |
|-----|--|-----------|-------|------|
| A   | MODIFY BODY MATERIAL                       | 12-Feb-04 | ----- | GRS  |
| B   | SYNC, REDRAWN IN THE CRO/E, ADDED PART NO. | 01-Jul-19 | 12042 | SH   |



SCALE 8.000

INTERFACE PER  
CECC 22000  
SERIES: MCX PLUG



RECOMMENDED  
PCB MOUNTING PATTERN

**CUSTOMER OUTLINE DRAWING**  
ALL OTHER SHEETS ARE FOR INTERNAL USE ONLY

UNLESS OTHERWISE SPECIFIED, DIMENSIONS ARE IN METRIC AND TOLERANCES ARE:  
 <0.5mm ±0.05mm    0.5 - 6mm ±0.1mm    6 - 30mm ±0.2mm    30 - 120mm ±0.3mm    ANGLES ±1°

NOTICE - These drawings, specifications, or other data (1) are, and remain the property of Amphenol corp. (2) must be returned upon request; and (3) are confidential and not to be disclosed to any person other than those to whom they are given by Amphenol Corp. the furnishing of these drawings, specifications, or other data by Amphenol Corp., or to any other person to anyone for any purpose is not to be regarded by implication or otherwise in any manner licensing, granting rights to permitting such holder or any other person to manufacture, use or sell any product, process or design, patented or otherwise, that may in any way be related to or disclosed by said drawings, specifications, or other data.

|                      |           |
|----------------------|-----------|
| MATERIAL             | SEE NOTES |
| REFERENCE            |           |
| EAR#                 |           |
| REF:                 |           |
| CONFIGURATION LEVEL: | In Work   |
| FINISH               |           |

|          |          |      |           |
|----------|----------|------|-----------|
| DRAWN    | M. ZHANG | DATE | 28-Jun-19 |
| ENGINEER | S. XIE   | DATE | 19-Feb-04 |
| APPROVED | S. HSIEH | DATE | 28-Jun-19 |
| CAD FILE |          |      |           |

|          |  |
|----------|--|
| TITLE    | MCX P.C. BOARD RECEPT. PLUG (SMALL BODY SURFACE MOUNT) |
| SCALE:   | 18.0:1.0   SHEET 2 OF 2                                |
| DWG SIZE | B  |
| REV      | B  |

|                    |                         |
|--------------------|-------------------------|
| Amphenol RF        |                         |
| www.amphenolrf.com |                         |
| DRAWING NO.        | MCX1251B4-005-3GT30G-50 |
| ITEM NO.           | 081251AAD02GE5F         |
| PART NO.           | 252153-11               |