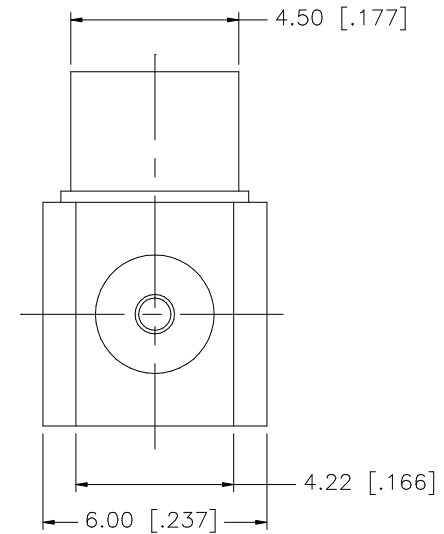
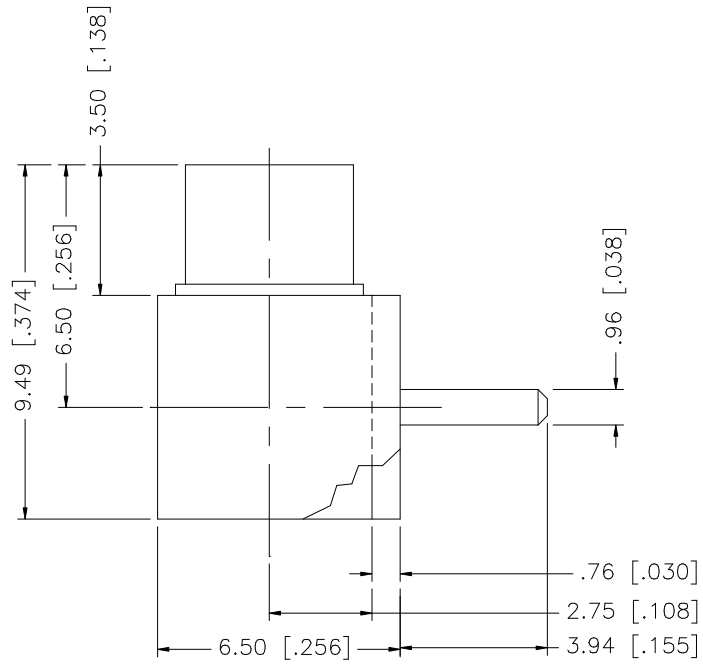


REV.	DATE	DESCRIPTION
NC	10/31/06	INITIAL RELEASE



8					<p>UNLESS OTHERWISE SPECIFIED DIMENSIONS ARE IN MILLIMETERS. DIMENSIONS IN [ ] ARE IN INCHES AND FOR CUSTOMER REFERENCE ONLY.</p> <p>UNLESS OTHERWISE SPECIFIED TOLERANCES FOR MILLIMETERS ARE:  0.5 - 8mm ± 0.20mm  8 - 30mm ± 0.40mm  30 - 120mm ± 0.50mm</p> <p>UNLESS OTHERWISE SPECIFIED TOLERANCES FOR INCHES ARE:  .020 - .315 = ± 0.007"  .315 - 1.180 = ± 0.015"  1.180 - 4.724 = ± 0.020"</p>	APPROVALS	DATE	<h1 style="color: blue; text-align: center;">Amphenol Connex</h1>				
7						DRAWN	G.R.S.					10/31/06
6						CHECKED			<p>PART DESCRIPTION</p> <p style="text-align: center;">MCX R/A BOARD RECEPT. JACK - 50ohm SURFACE MOUNT EXTENDED CENTER CONTACT</p>			
5						ISSUED						
4					SHEET	1 OF 1		<p>PART NO.</p> <p style="text-align: center;">252149-10</p>				
3	CONTACT PIN	BER. COPPER	GOLD	1	CAD FILE							<p>DWG. NO.</p> <p style="text-align: center;">252149-10.DWG</p>
2	INSULATOR	TEFLON	NATURAL	1	C:/252/252149-10.DWG							
1	BODY	BRASS	GOLD	1	DO NOT SCALE DRAWING							
	DESCRIPTION	MATERIAL	FINISH	QTY								