

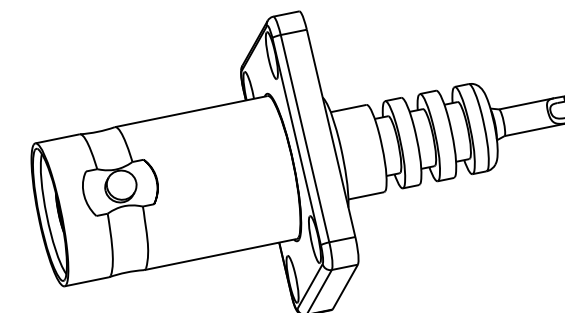
NOTES:

1. MATERIALS AND FINISHES(PLATING THICKNESS IN MICRO-INCHES):
 BODY - BRASS, NICKEL PLATING (.000100" MIN. THICK)
 CONTACT - BERYLLIUM COPPER, SILVER PLATING (.000200" MIN. THICK)
 INSULATOR - PTFE, NATURAL
2. ELECTRICAL:
 A. VOLTAGE RATING: 5,000 VOLTS PEAK
3. MECHANICAL:
 A. TEMPERATURE RANGE: -65° C TO +165° C
4. PACKAGING:
 A. QUANTITY: SINGLE PACK
 B. MARKING: BAG TO BE MARKED
 "AMPHENOL, 000-27000-1000, AND DATE CODE"

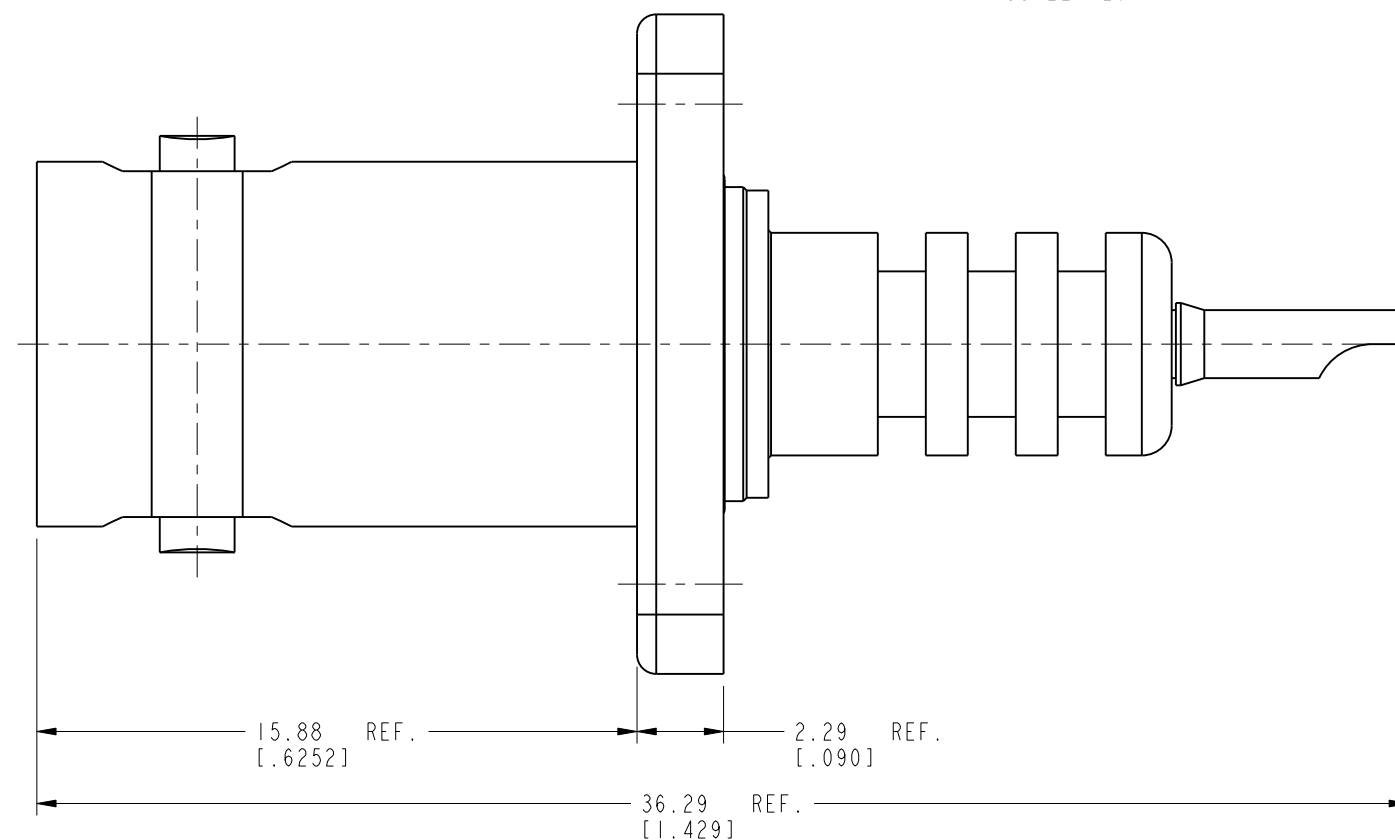
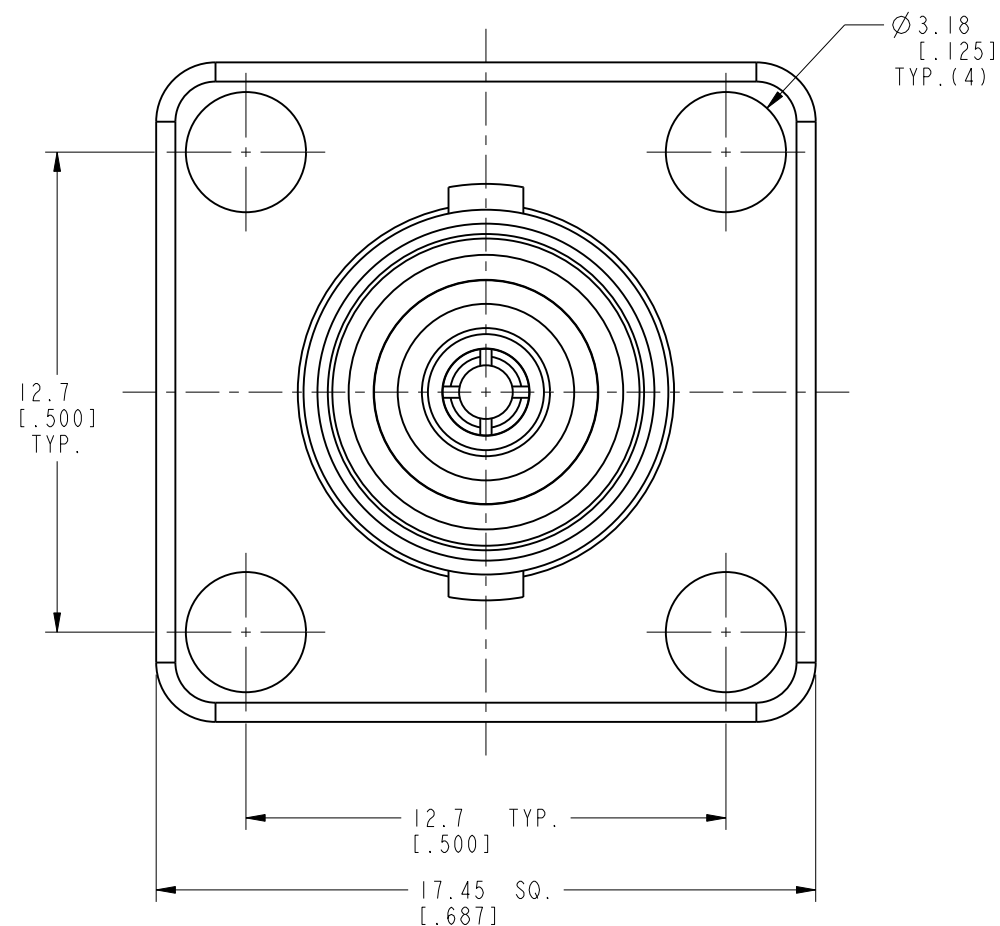
THIRD ANGLE PROJ.

REVISIONS

REV	DESCRIPTION	DATE	ECO	APPR
A	RELEASE TO MFG.	06-Oct-03	44580	CPM/
B	SYNCH THE DRAWING	06-Dec-11	48868	SH



SCALE 2.000



CUSTOMER OUTLINE DRAWING

ALL OTHER SHEETS ARE FOR INTERNAL USE ONLY

UNLESS OTHERWISE SPECIFIED, DIMENSIONS ARE IN METRIC AND TOLERANCES ARE: <0.5mm ±0.05mm 0.5 - 6mm ±0.1mm 6 - 30mm ±0.2mm 30 - 120mm ±0.3mm ANGLES ±1°	MATERIAL	DRAWN T. DENG	DATE 02-Dec-11	TITLE MINIATURE H.V. RECEPTACLE UG-931/U	Amphenol RF www.amphenolrf.com
	NOTICE - These drawings, specifications, or other data (1) are, and remain the property of Amphenol corp. (2) must be returned upon request; and (3) are confidential and not to be disclosed to any person other than those to whom they are given by Amphenol Corp. the furnishing of these drawings, specifications, or other data by Amphenol Corp., or to any other person to anyone for any purpose is not to be regarded by implication or otherwise in any manner licensing, granting rights to permitting such holder or any other person to manufacture, use or sell any product, process or design, patented or otherwise, that may in any way be related to or disclosed by said drawings, specifications, or other data.	REFERENCE EAR# 1036 SIMILAR TO 27100 & RHV-115	ENGINEER D. BARTHELME		
		FINISH	APPROVED S. HSIEH	DATE 06-Dec-11	SCALE: 5.0:1.0 SHEET 2 OF 2
		CAD FILE I:\MHV\27000-001	DWG SIZE B	REV B	PART NO. 27000-1000