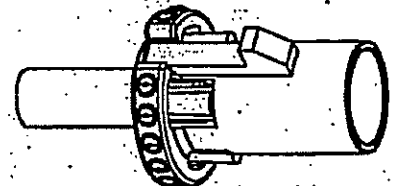


NOTES:

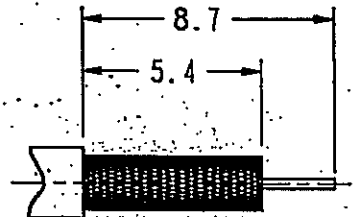
1. MATERIALS AND FINISHES(MICRO-INCHES)
 BODY = ZINC DIECAST (ZAMAK #3 PER ASTM-B86) NICKEL PL. (150 MIN/200MAX).
 THICK OVER COPPER PL. (100 MIN/200MAX)THICK
 MALE CONTACT = PHOSPHOR BRONZE (PER ASTM-B103 0.2 MM THICK)
 GOLD PL. 30 MIN THICK OVER NICKEL 80 MIN
 INSULATOR = PTFE PER D1710, COLOR: NATURAL.
 FAKRA HOUSING = NYLON 46, 15% GLASS FILLED, PER KDF, AKROMID A GRADE
 A3GF14 COLOR PER AMPHENOL SPEC. 349-50688 (REFER TO TABLE
 BELOW FOR KEY CODE)
 FERRULE = SEAMLESS COPPER TUBING, ALLOY 122 (DHP), ASTM-B75 HARD. DRAWN
 TO ROCKWELL 58-77 ON 30T SCALE, NICKEL PL. 100 MIN THICK.
 OVER COPPER.20 MIN.
2. ELECTRICAL:
 A. IMPEDANCE: 50 OHM, NOMINAL
 B. FREQUENCY RANGE: DC-4.0GHz
3. MECHANICAL:
 A. DURABILITY: 50 CYCLES MIN.
 B. TEMPERATURE RANGE: -65° C TO 165° C
4. PACKAGING:
 A. QUANTITY: TRAY PACK
 B. MARKING: TRAY TO BE MARKED
 "AMPHENOL, 2FAI-NXSP-COISI, AND DATE CODE"
5. CRIMPED FERRULE HEX CRIMP SIZE :128"
 CRIMP CONTACT ONTO CABLE PER 349-50747

| 2FAI-NXSP-COISI | | REVISIONS | | | |
|-------------------|-----|--------------------------|-----------|-------|--------|
| DRAWING NO. | REV | DESCRIPTION | DATE | ECO | APPR |
| THIRD ANGLE PROJ. | A | RELEASE TO MFG. | 20-Mar-06 | 45982 | BRUCE |
| | A1 | CHANGED PLATING FOR BODY | 28-Aug-06 | 46895 | HELLEN |

CONFIGURATION CONTROL:
 NO CHANGES PERMITTED TO DRAWING WITHOUT
 PPAP QUALIFIED CUSTOMER APPROVAL

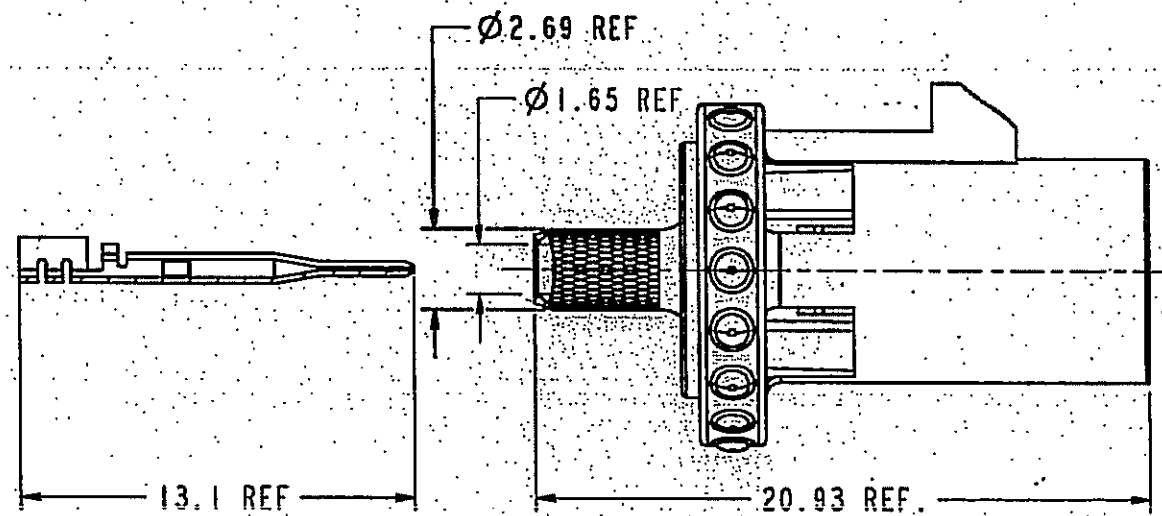
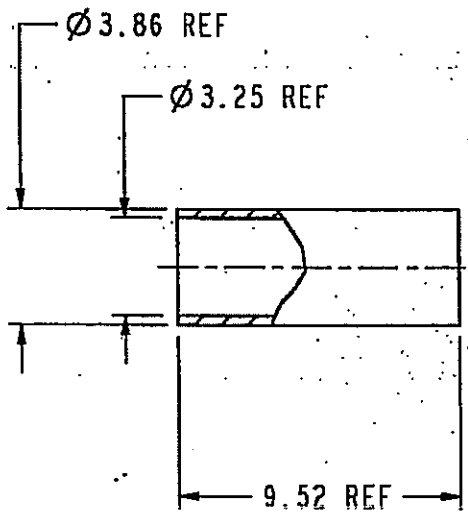


SCALE 2.000

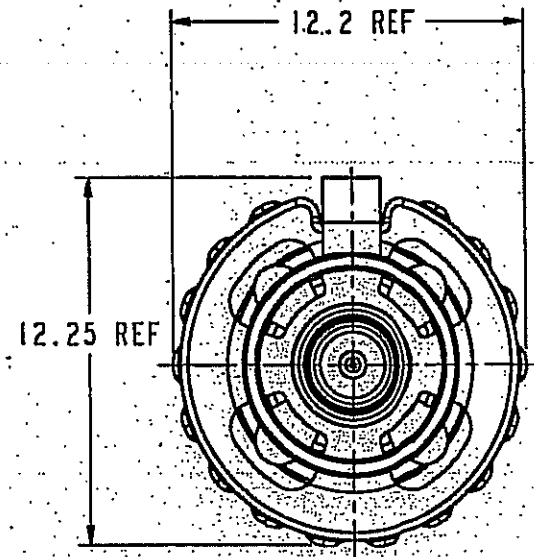


SCALE 3.000

**RECOMMENDED
 CABLE STRIPPING DIM'S**



SECTION A-A



| CODING | DRAWING NO. | COLOR | RAL NO. |
|--------|-----------------|----------------|---------|
| A | 2FAI-NASP-COISI | JET BLACK | 9005 |
| B | 2FAI-NBSP-COISI | CREAM WHITE | 9001 |
| C | 2FAI-NCSP-COISI | SIGNAL BLUE | 5005 |
| D | 2FAI-NDSP-COISI | CLARET VIOLET | 4004 |
| E | 2FAI-NESP-COISI | LEAF GREEN | 6002 |
| F | 2FAI-NFSP-COISI | NUT BROWN | 8011 |
| G | 2FAI-NGSP-COISI | BLUE GREY | 7031 |
| H | 2FAI-NHSP-COISI | HEATHER VIOLET | 4003 |
| I | 2FAI-NISP-COISI | BEIGE | 1001 |
| K | 2FAI-NKSP-COISI | CURRY | 1027 |
| Z | 2FAI-NZSP-COISI | WATER BLUE | 5021 |
| L | 2FAI-NLSP-COISI | CARMINE RED | 3002 |
| M | 2FAI-NMSP-COISI | PASTEL ORANGE | 2003 |
| N | 2FAI-NNSP-COISI | PASTEL GREEN | 6019 |

CUSTOMER OUTLINE DRAWING
 ALL OTHER SHEETS ARE FOR INTERNAL USE ONLY

| | | | | | | |
|----------------------------------------------------------------------------------------------------------------------------------------------------|---------------------------------------------------------------------------------------------------------------------------------------------------------------------------------------------------------------------------------------------------------------------------------------------------------------------------------------------------------------------------------------------------------------------------------------------------------------------------------------------------------------------------------------------------------------------------------------------------------------------------------------------------------------------------------------------------------------------------------------|----------------------------------------------------|---------------------------------------|-------------------------------------|---------------------------------------------------------------------------------------------------|-----------------------------------------------------------------|
| UNLESS OTHERWISE SPECIFIED, DIMENSIONS ARE IN METRIC AND TOLERANCES ARE: 0.5 - 6mm ±0.1mm 6 - 30mm ±0.2mm 30 - 120mm ±0.3mm ANGLES ±1° | MATERIAL | DRAWN <i>Helena</i> | DATE 28-Aug-06 | TITLE | Amphenol RF Danbury, CT, USA Tainan, Taiwan Shenzhen, China www.amphenolrf.com | |
| | NOTICE - These drawings, specifications, or other data (1) are, and remain the property of Amphenol corp. (2) must be returned upon request; and (3) are confidential and not to be disclosed to any person other than those to whom they are given by Amphenol Corp. The finishing of these drawings, specifications, or other data by Amphenol Corp., or to any other person to anyone for any purpose is not to be regarded by implication or otherwise in any manner, licensing, granting rights to permitting such holder or any other person to manufacture, use or sell any product, process or design, patented or otherwise, that may in any way be related to or disclosed by said-drawings, specifications, or other data. | REFERENCE EAR #1435 CONFIGURATION LEVEL: *** | ENGINEER <i>LSM</i> DATE 28-Aug-06 | APPROVED <i>LSM</i> DATE 8/31/06 | | FAKRA (GEN II) PLUG, COI CABLE GROUP WITH STAMPED CONTACT |
| | | CAD FILE I:/FAKRA/2FAI-NXSP-COISI | CODE ID 74868 | DWG SIZE B | DRAWING NO. 2FAI-NXSP-COISI | REV A1 |